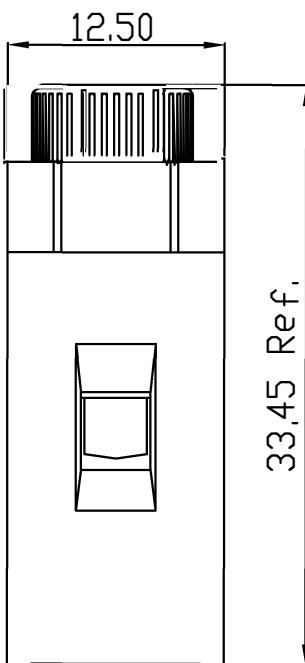
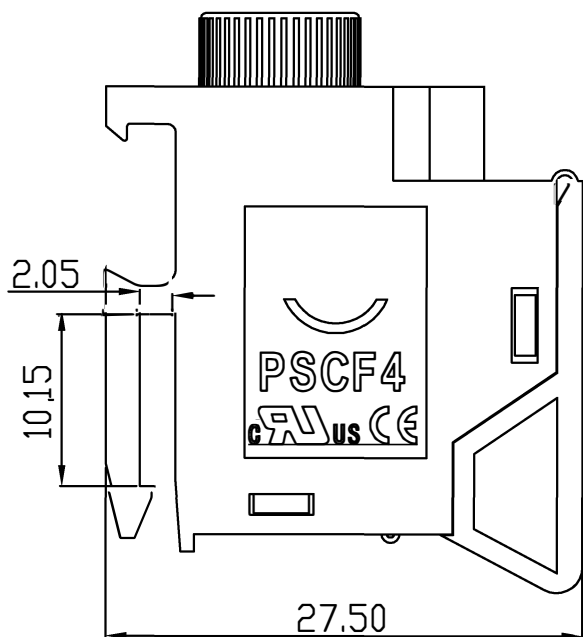
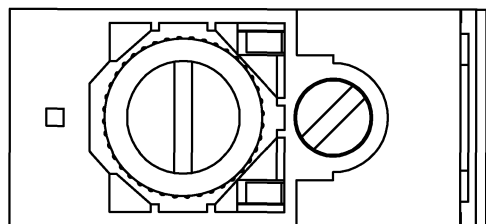


linear dimension (Tolerances Standard GB/T 14486-2008)								—		
variable range	to	over	over	over	over	over	over	to	over	over
	6	6 to 10	10 to 30	30 to 60	60 to 100	100 to 160	160 to	10	10 to 100	100 to
tolerance	±0.20	±0.30	±0.50	±0.70	±1.00	±1.30	±1.60	0.10	0.30	0.60



REVISION RECORD				
REV.	DESCRIPTION	ECN No.	APPROVED	DATE
A			CLF	21.10.16

UL/CUL Technical Data			
Use Group		B	C D
Rated Voltage [V]		300	- -
Rated Current [A]		10	- -
Wire Range		20-10	
Solid/Stranded [AWG]			
IEC			
IEC Technical			
Rated Voltage [V]		250	
Rated Current [A]		10	
Withstanding Voltage		2000V/1Min	
Conductor cross section		4	
Solid/ flexible [mm²]			
Material			
Insulation Material		PA66	
Inflammability		UL94V-0	
Contact Material		Copper alloy	
Contactive Coating		Tin plating	
Other Data			
Pitch [mm]		12.5	
Poles [P]		1	
Stripping Length [mm]		10-12	
Screw/ Torque(Max) [N.m]		M3.5/0.8	
Operating temperatur [°C]		-40~+105	
Pin Dimensions [mm]		-	
PCB Hole Diameter [mm]		-	

DES.	SJD	DATE	21.10.16	UNITS	mm	SIZE	A4	/SCALE	1:1	TH RD ANGLE PROJECTION		REV	1	A	
CHK.	BY	DATE	21.10.16			Prodin Ferrite S.L.		Calle A, 27, 08520 Sant Vicenç dels Horts, Barcelona (Spain) Tel.: +34 93 672 46 10 info@prodinferrite.com www.prodinferrite.com			TITLE				
APP.	CLF	DATE	21.10.16											PSCF4-12.5	