



**PRODUCT DATA SHEET**

**Appearance & Shape:** To be free from any defect such as flow, burrs, unevenness etc; as per IEC standards

**Effective parameters irrespective of material grade (per set)**

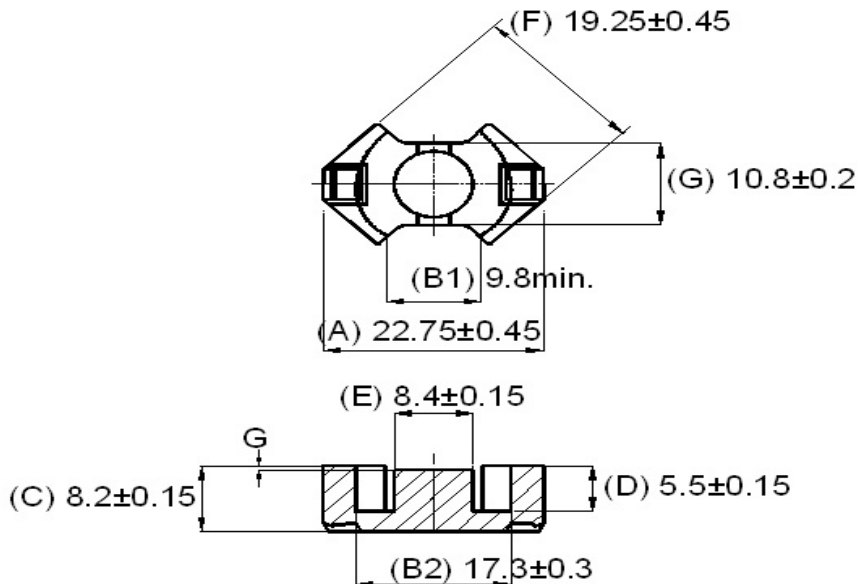
Parameter	Value	Unit
Effective Length ( $L_e$ )	38.0	mm
Effective Area ( $A_e$ )	64.0	mm <sup>2</sup>
Effective Area ( $A_{Min}$ )	55.0	mm <sup>2</sup>
Effective Volume ( $V_e$ )	2432	mm <sup>3</sup>
Approx. Weight (without gap)	12.4	g/set



**RM8 Un-gapped (OL)**

**Test Conditions: 1kHz/1mT/CFR COIL,N=100/25°C**

Material Grade	Initial Permeability ( $\mu_{iac}$ )	AL Value (nH)/Set	$P_v$ (W/set)	Ordering code
CF139	2100 ±20%	2600 +30%/-20%	≤0.24 (100mT,100kHz,100°C)	CF139 RM8 OL
CF297	2300 ±20%	2700 +30%/-20%	≤0.21 (100mT,100kHz,100°C)	CF297 RM8 OL



Remarks: Value of "G" is Zero (0) for Un-Gapped Cores, for Gapped Cores the value of "G" varies as per the Gap/AL value

