



**Appearance & Shape:** To be free from any defect such as flow, burrs, unevenness etc; as per IEC standards

**Effective parameters irrespective of material grade (per set)**

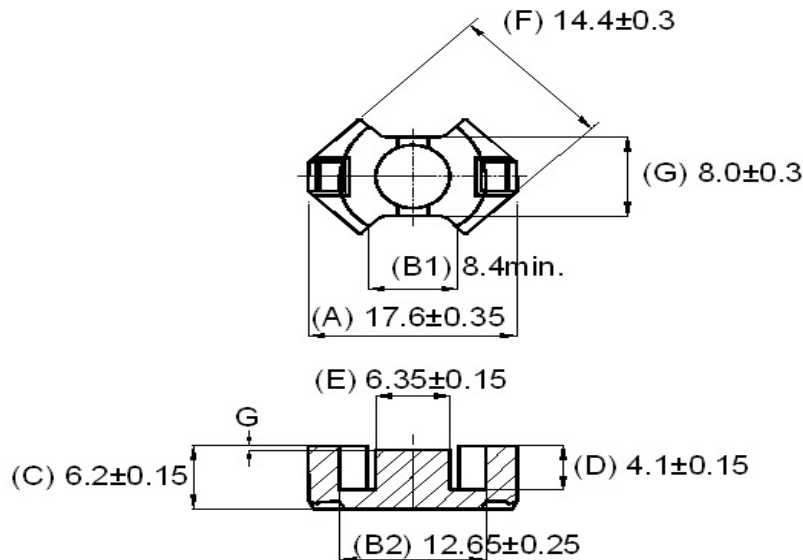
Parameter	Value	Unit
Effective Length ( $L_e$ )	28.6	mm
Effective Area ( $A_e$ )	36.6	mm <sup>2</sup>
Effective Area ( $A_{Min}$ )	31.0	mm <sup>2</sup>
Effective Volume ( $V_e$ )	1046	mm <sup>3</sup>
Approx. Weight (without gap)	5.4	g/set



**RM6 Un-gapped (OL)**

**Test Conditions: 1kHz/1mT/CFR COIL,N=100/25°C**

Material Grade	Initial Permeability ( $\mu_{iac}$ )	AL Value (nH)/Set	$P_v$ (W/set)	Ordering code
CF139	2100 ±20%	2100 +30%/-20%	≤0.10 (100mT,100kHz,100°C)	CF139 RM6 OL
CF297	2300 ±20%	2200 +30%/-20%	≤0.09 (100mT,100kHz,100°C)	CF297 RM6 OL



Remarks: Value of “G” is Zero (0) for Un-Gapped Cores, for Gapped Cores the value of “G” varies as per the Gap/AL value

