



# PRODUCT DATA APPROVAL SHEET

Core- RM5

Cosmo Ferrites Ltd. - INDIA

**Appearance & Shape:** To be free from any defect such as flow, burrs, unevenness etc, As per IEC standards.

**Effective Parameters irrespective of material grade (per set)**

- Effective Length ( $L_e$ ): 23.2mm
- Effective Area ( $A_e$ ): 24.8mm<sup>2</sup>
- Effective Area ( $A_{Min}$ ): 18.1mm<sup>2</sup>
- Effective Volume ( $V_e$ ): 574mm<sup>3</sup>

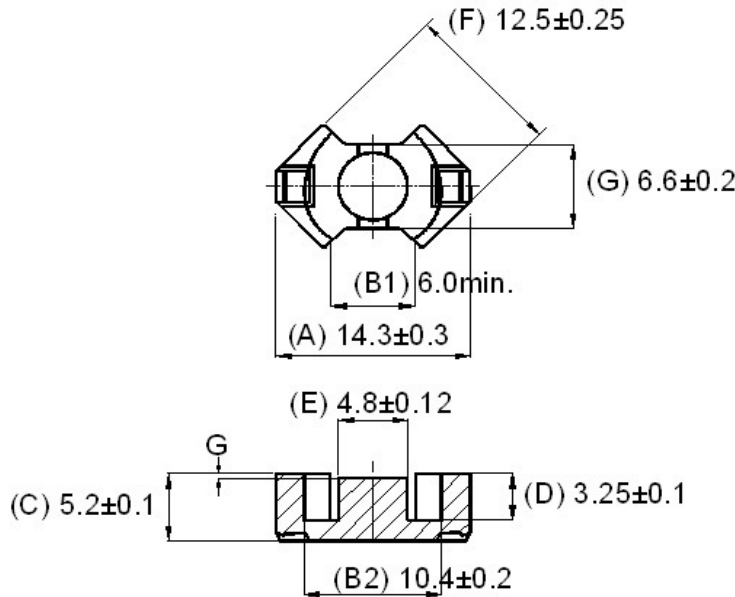
**Approximate weight (without Gap): 3.2g/Set**



## RM5 Un-gapped (OL)

**Test Conditions: 1kHz/1mT/CFR COIL,N=10/25°C**

| Material Grade | Initial Permeability ( $\mu_{iac}$ ) | AL Value (nH)/Set | $\mu_e$ Approx./Set | $P_v$ (W/set)                      |
|----------------|--------------------------------------|-------------------|---------------------|------------------------------------|
| CF138          | 2100 $\pm$ 20%                       | 1850 +30%/-20%    | $\approx$ 1460      | $\leq$ 0.063(100mT, 100kHz, 100°C) |
| CF139          | 2100 $\pm$ 20%                       | 1850 +30%/-20%    | $\approx$ 1460      | $\leq$ 0.057(100mT, 100kHz, 100°C) |



For Cosmo Ferrites Limited-INDIA

Checked By: A.K.  
 Approved By: B.S.  
 Authorized By: KSR  
 Date: 29-03-2014(ISSUE NO.1)

Customer's Approval  
 Authorized Signatory:  
 Name:  
 Date:



**Prodin Ferrite S.L.**

CalleA, 27, 08620 Sant Vicenç dels Horts, Barcelona (Spain) Tel.: +34 93 672 46 10  
[info@prodinferrite.com](mailto:info@prodinferrite.com) [www.prodinferrite.com](http://www.prodinferrite.com)