



# PRODUCT DATA APPROVAL SHEET

Core- RM14

Cosmo Ferrites Ltd. - INDIA

**Appearance & Shape:** To be free from any defect such as flow, burrs, unevenness etc, As per IEC standards. **Effective Parameters irrespective of set)**

- Effective Length ( $L_e$ ): 70.0mm
  - Effective Area ( $A_e$ ): 200.0mm<sup>2</sup>
  - Effective Area ( $A_{Min}$ ): 170.0mm<sup>2</sup>
  - Effective Volume ( $V_e$ ): 14000mm<sup>3</sup>
- Approximate weight (without Gap): 77g/Set**



## RM14 Un-gapped (OL)

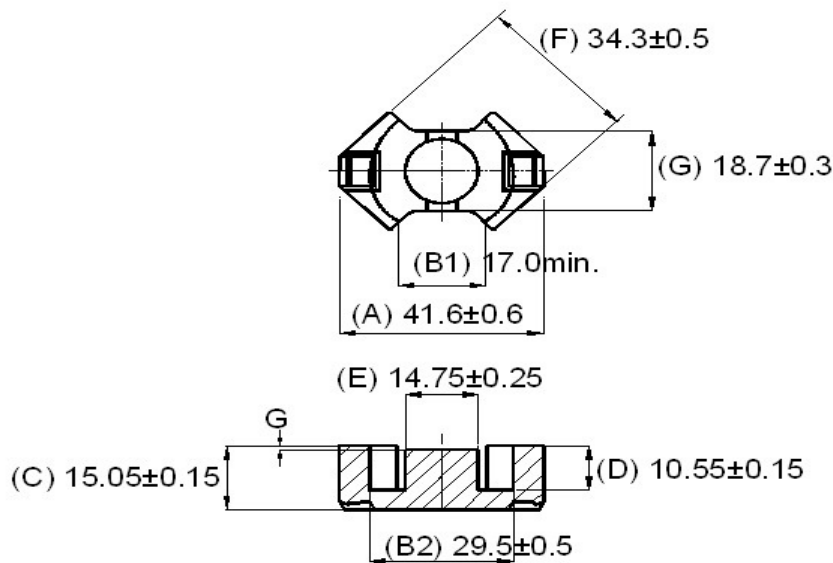
**Test Conditions: 1kHz/1mT/CFR COIL,N=10/Lo=12.16uH/25°C**

Material Grade	Initial Permeability ( $\mu_{iac}$ )	AL Value (nH)/Set	$\mu_e$ Approx./Set	$P_V$ (W/set)
CF292	1800 $\pm$ 20%	5200 +30%/-20%	$\approx$ 1460	$\leq$ 1.40(100mT, 100kHz, 100°C)
CF139	2100 $\pm$ 20%	5450 +30%/-20%	$\approx$ 1510	$\leq$ 1.40(100mT, 100kHz, 100°C)
CF297	2300 $\pm$ 20%	5800 +30%/-20%	$\approx$ 1610	$\leq$ 1.26(100mT, 100kHz, 100°C)
CF140	2500 $\pm$ 20%	6100 +30%/-20%	$\approx$ 1710	NA

## RM14 Gapped

**Test Conditions: 1kHz/300mV/CFR COIL,N=10/Lo=12.16uH/25°C**

Material Grade	AL Value (nH)/Set	S, T)		D)	
		Gap Approx. (mm)/Pc	$\mu_e$ Approx./Set	Gap Approx. (mm)/Pc	$\mu_e$ Approx./Set
CF292	250 $\pm$ 3%	$\approx$ 1.0	$\approx$ 70	$\approx$ 0.5	$\approx$ 70
CF292	400 $\pm$ 3%	$\approx$ 0.6	$\approx$ 110	$\approx$ 0.3	$\approx$ 110
CF139	250 $\pm$ 3%	$\approx$ 0.96	$\approx$ 70	$\approx$ 0.48	$\approx$ 70
CF139	400 $\pm$ 3%	$\approx$ 0.58	$\approx$ 114	$\approx$ 0.29	$\approx$ 114
CF297	250 $\pm$ 3%	$\approx$ 0.96	$\approx$ 70	$\approx$ 0.48	$\approx$ 70
CF297	400 $\pm$ 3%	$\approx$ 0.58	$\approx$ 114	$\approx$ 0.29	$\approx$ 114
CF140	250 $\pm$ 3%	$\approx$ 0.98	$\approx$ 70	$\approx$ 0.49	$\approx$ 70



**Prodin Ferrite S.L.**

CalleA, 27, 08620 Sant Vicenç dels Horts, Barcelona (Spain)

Tel.: +34 93 672 46 10

[info@prodinferrite.com](mailto:info@prodinferrite.com) [www.prodinferrite.com](http://www.prodinferrite.com)