



# PRODUCT DATA APPROVAL SHEET

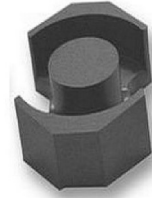
Core- RM12S

Cosmo Ferrites Ltd. - INDIA

**Appearance & Shape:** To be free from any defect such as flow, burrs, unevenness etc, As per IEC standards.

**Effective Parameters irrespective of material grade (per set)**

- Effective Length ( $L_e$ ): 57.0 mm
  - Effective Area ( $A_e$ ): 146.0 r
  - Effective Area ( $A_{Min}$ ): 125.0 mm<sup>2</sup>
  - Effective Volume ( $V_e$ ): 8320 mm<sup>3</sup>
- Approximate Weight (wit**



## RM12S Gapped

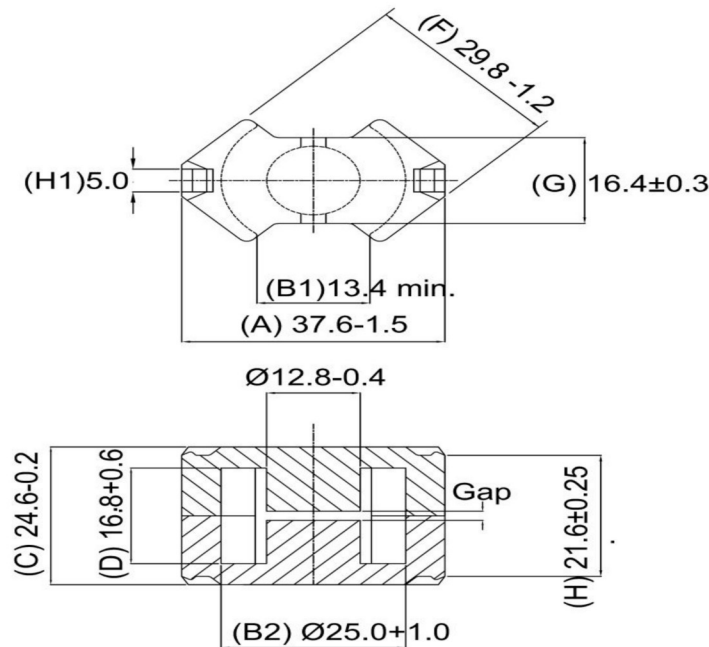
**Test Conditions:** 1KHz/300mV/CFR COIL,N=100/25°C

Material Grade	AL- Value (nH)/Set	Ordering Code
CF139	250 ± 5%	CF139 RM12S AL 250 S

\*\* S, T -> AL value in the table applies to a core set comprising one un-gapped core (g=0) and one gapped core (g>0)  
 D -> AL value in the table applies to a core set comprising one gapped core (g>0) and one gapped core (g>0)

### Delivery Procedure

S: 50% gapped cores & 50% un-gapped core



## Prodin Ferrite S.L.

Calle A, 27, 08620 Sant Vicenç dels Horts, Barcelona (Spain) Tel.: +34 93 672 46 10

[info@prodinferrite.com](mailto:info@prodinferrite.com) [www.prodinferrite.com](http://www.prodinferrite.com)