



**PRODUCT DATA SHEET**

**Appearance & Shape:** To be free from any defect such as flow, burrs, unevenness etc; as per IEC standards

**Effective parameters irrespective of material grade (per set)**

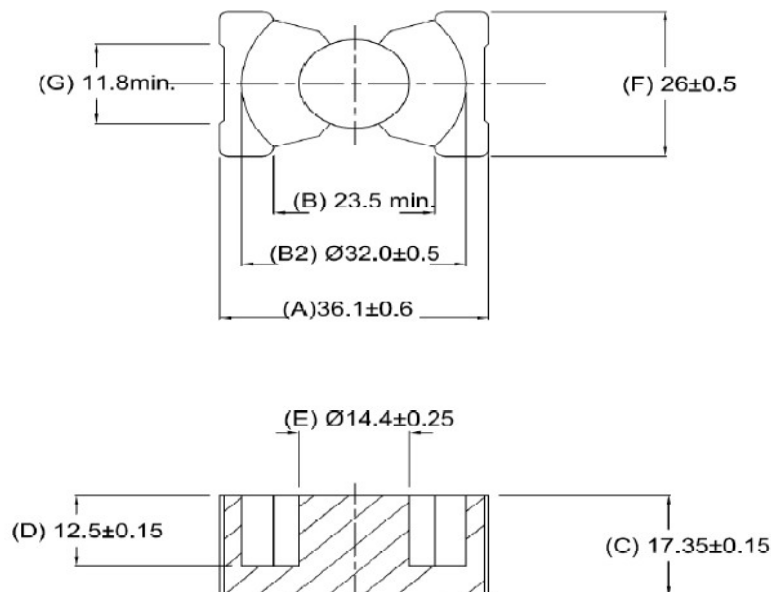
Parameter	Value	Unit
Effective Length ( $L_e$ )	86.1	mm
Effective Area ( $A_e$ )	190	mm <sup>2</sup>
Effective Area ( $A_{Min}$ )	162	mm <sup>2</sup>
Effective Volume ( $V_e$ )	16300	mm <sup>3</sup>
Approx. Weight (without gap)	80	g/set



**PQ3535 Un-gapped (OL)**

**Test Conditions: 1kHz/1mT/CFR COIL,N=100/25°C**

Material Grade	Initial Permeability ( $\mu_{iac}$ )	AL Value (nH)/Set	$P_v$ (W/set)	Ordering code
CF292	1800 ±20%	4000 +30%/-20%	≤1.95 (100mT,100kHz,100°C)	CF292 PQ3535 OL
CF139	2100 ±20%	4200 +30%/-20%	≤1.63 (100mT,100kHz,100°C)	CF139 PQ3535 OL
CF297	2300 ±20%	4300 +30%/-20%	≤1.47 (100mT,100kHz,100°C)	CF297 PQ3535 OL



Remarks: Value of "G" is Zero (0) for Un-Gapped Cores, for Gapped Cores the value of "G" varies as per the Gap/AL value



**Prodin Ferrite S.L.**

Calle A, 27, 08620 Sant Vicenç dels Horts, Barcelona (Spain)

Tel.: +34 93 672 46 10

[info@prodinferrite.com](mailto:info@prodinferrite.com) [www.prodinferrite.com](http://www.prodinferrite.com)