

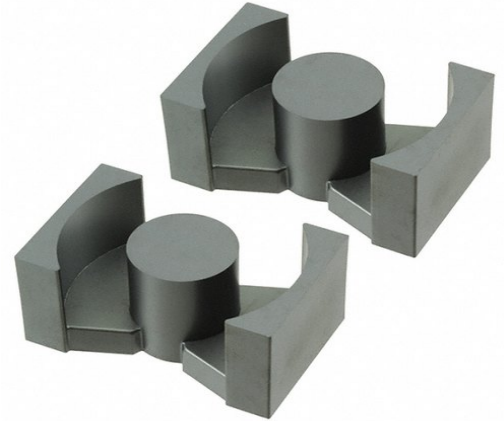


PRODUCT DATA SHEET

Appearance & Shape: To be free from any defect such as flow, burrs, unevenness etc; as per IEC standards

Effective parameters irrespective of material grade (per set)

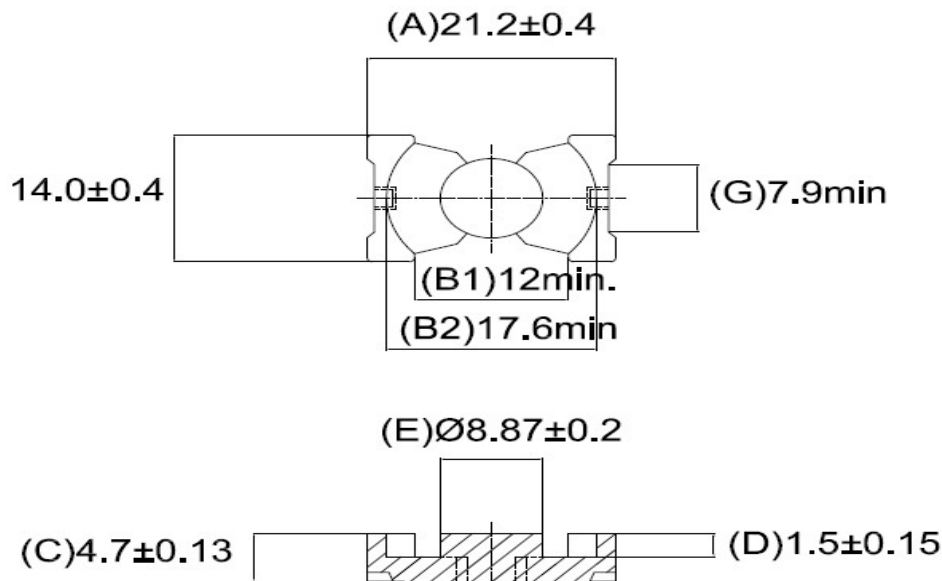
Parameter	Value	Unit
Effective Length (L_e)	22.7	mm
Effective Area (A_e)	62.5	mm ²
Effective Area (A_{Min})	61.6	mm ²
Effective Volume (V_e)	1464	mm ³
Approx. Weight (without gap)	9	g/set



PQ2010 Un-gapped (OL)

Test Conditions: 1kHz/1mT/CFR COIL,N=100/25°C

Material Grade	Initial Permeability (μ_{iac})	AL Value (nH)/Set	P_v (W/set)	Ordering code
CF292	1800 ±20%	3350 +30%/-20%	≤0.18 (100mT,100kHz,100°C)	CF292 PQ2010 OL
CF139	2100 ±20%	3600 +30%/-20%	≤0.15 (100mT,100kHz,100°C)	CF139 PQ2010 OL
CF297	2300 ±20%	3750 +30%/-20%	≤0.14 (100mT,100kHz,100°C)	CF297 PQ2010 OL



Remarks: Value of "G" is Zero (0) for Un-Gapped Cores, for Gapped Cores the value of "G" varies as per the Gap/AL value

