



PRODUCT DATA SHEET

Appearance & Shape: To be free from any defect such as flow, burrs, unevenness etc; as per IEC standards

Effective parameters irrespective of material grade (per set)

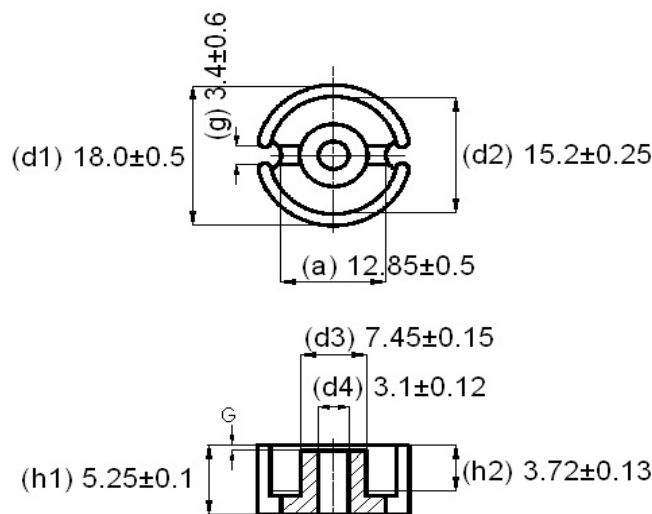
Parameter	Value	Unit
Effective Length (L_e)	25.9	mm
Effective Area (A_e)	43	mm ²
Effective Area (A_{Min})	35	mm ²
Effective Volume (V_e)	1120	mm ³
Approx. Weight (without gap)	7.1	g/set



P1811 Un-gapped (OL)

Test Conditions: 1kHz/1mT/CFR COIL,N=100/25°C

Material Grade	Initial Permeability (μ_{iac})	AL Value (nH)/Set	P_v (W/set)	Ordering code
CF292	1800 ±20%	2600 +30%/-20%	≤0.14(100mT,100kHz,100°C)	CF292 P1811 OL
CF139	2100 ±20%	2900 +30%/-20%	≤0.12(100mT,100kHz,100°C)	CF139 P1811 OL
CF297	2300 ±20%	3100 +30%/-20%	≤0.10 (100mT,100kHz,100°C)	CF297 P1811 OL
CF124	2500 ±20%	3300 +30%/-20%	≤0.17 (200mT,25kHz,100°C)	CF124 P1811 OL



Remarks: Value of "G" is Zero (0) for Un-Gapped Cores, for Gapped Cores the value of "G" varies as per the Gap/AL value



Prodin Ferrite S.L.

Calle A, 27, 08620 Sant Vicenç dels Horts, Barcelona (Spain)

Tel.: +34 93 672 46 10

info@prodinferrite.com www.prodinferrite.com