



PRODUCT DATA SHEET

Appearance & Shape: To be free from any defect such as flow, burrs, unevenness etc; as per IEC standards

Effective parameters irrespective of material grade (per set)

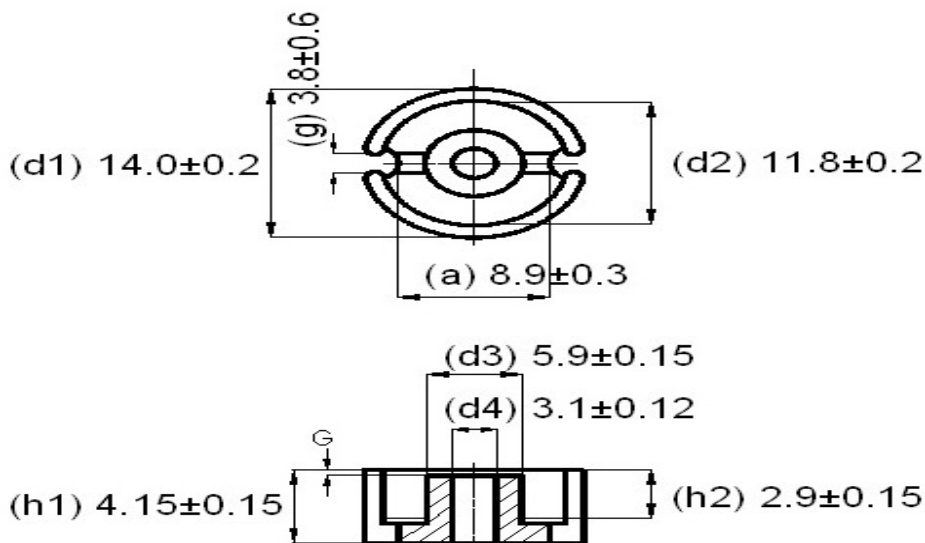
| Parameter | Value | Unit |
|------------------------------|-------|-----------------|
| Effective Length (L_e) | 19.0 | mm |
| Effective Area (A_e) | 25.9 | mm ² |
| Effective Area (A_{Min}) | 21.8 | mm ² |
| Effective Volume (V_e) | 490 | mm ³ |
| Approx. Weight (without gap) | 3.1 | g/set |



P1408 Un-gapped (OL)

Test Conditions: 1kHz/1mT/CFR COIL,N=100/25°C

| Material Grade | Initial Permeability (μ_{iac}) | AL Value (nH)/Set | P_v (W/set) | Ordering code |
|----------------|--------------------------------------|-------------------|-----------------------------|----------------|
| CF292 | 1800 ±20% | 2000 +30%/-20% | ≤0.06(100mT,100kHz,100°C) | CF292 P1408 OL |
| CF139 | 2100 ±20% | 2150 +30%/-20% | ≤0.05(100mT,100kHz,100°C) | CF139 P1408 OL |
| CF297 | 2300 ±20% | 2250 +30%/-20% | ≤0.044 (100mT,100kHz,100°C) | CF297 P1408 OL |
| CF124 | 2500 ±20% | 2350 +30%/-20% | ≤0.075 (200mT,25kHz,100°C) | CF124 P1408 OL |



Remarks: Value of "G" is Zero (0) for Un-Gapped Cores, for Gapped Cores the value of "G" varies as per the Gap/AL value



Prodin Ferrite S.L.

Calle A, 27, 08620 Sant Vicenç dels Horts, Barcelona (Spain)

Tel.: +34 93 672 46 10

info@prodinferrite.com www.prodinferrite.com