



Appearance & Shape: To be free from any defect such as flow, burrs, unevenness etc; as per IEC standards

Effective parameters irrespective of material grade (per set)

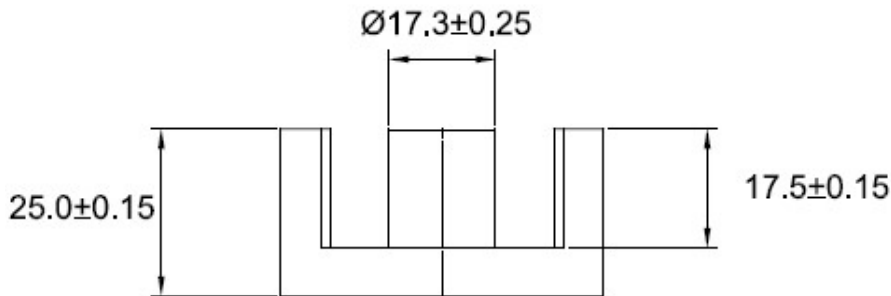
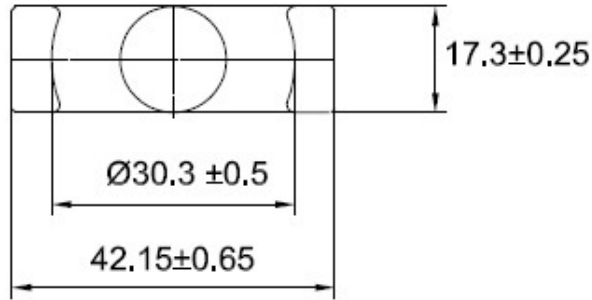
Parameter	Value	Unit
Effective Length (L_e)	107.5	mm
Effective Area (A_e)	240.0	mm ²
Effective Area (A_{Min})	228.0	mm ²
Effective Volume (V_e)	25800	mm ³
Approx. Weight (without gap)	130	g/set



EER4217 Un-gapped (OL)

Test Conditions: 1kHz/1mT/CFR COIL,N=100/25°C

Material Grade	Initial Permeability (μ_{iac})	AL Value (nH)/Set	P_v (W/set)	Ordering code
CF139	2100 ±20%	4600 +30%/-20%	≤2.58 (100mT,100kHz,100°C)	CF139 EER4217 OL
CF297	2300 ±20%	4700 +30%/-20%	≤2.32 (100mT,100kHz,100°C)	CF297 EER4217 OL



Remarks: Value of "G" is Zero (0) for Un-Gapped Cores, for Gapped Cores the value of "G" varies as per the Gap/AL value

