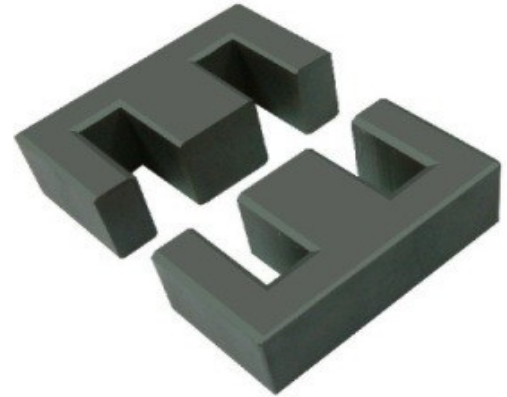




Appearance & Shape: To be free from any defect such as flow, burrs, unevenness etc; as per IEC standards

Effective parameters irrespective of material grade (per set)

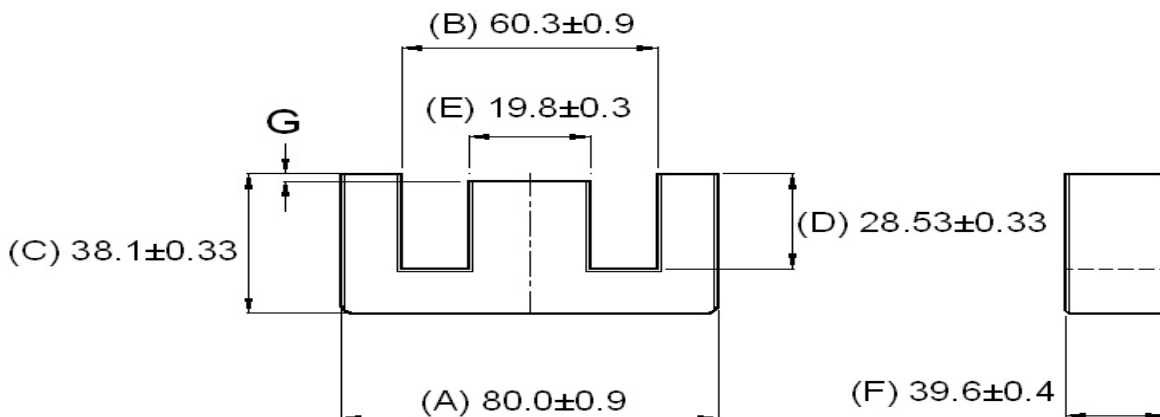
Parameter	Value	Unit
Effective Length (L_e)	185.1	mm
Effective Area (A_e)	774.6	mm ²
Effective Area (A_{Min})	758.9	mm ²
Effective Volume (V_e)	143370	mm ³
Approx. Weight (without gap)	680	g/set



EE8040 Un-gapped (OL)

Test Conditions: 1kHz/1mT/CFR COIL,N=100/25°C

Material Grade	Initial Permeability (μ_{iac})	AL Value (nH)/Set	P_v (W/set)	Ordering code
CF292	1800 ±20%	7700 +30%/-20%	≤17.2(100mT,100kHz,100°C)	CF292 EE8040 OL
CF139	2100 ±20%	8700 +30%/-20%	≤14.3(100mT,100kHz,100°C)	CF139 EE8040 OL
CF297	2300 ±20%	9300 +30%/-20%	≤12.9 (100mT,100kHz,100°C)	CF297 EE8040 OL
CF124	2500 ±20%	9900 +30%/-20%	≤21.5 (200mT,25kHz,100°C)	CF124 EE8040 OL



Remarks: Value of “G” is Zero (0) for Un-Gapped Cores, for Gapped Cores the value of “G” varies as per the Gap/AL value

