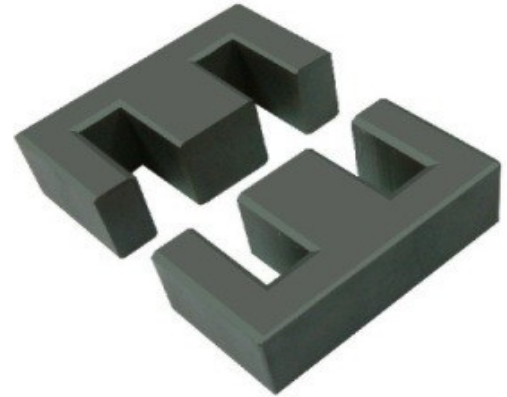




Appearance & Shape: To be free from any defect such as flow, burrs, unevenness etc; as per IEC standards

Effective parameters irrespective of material grade (per set)

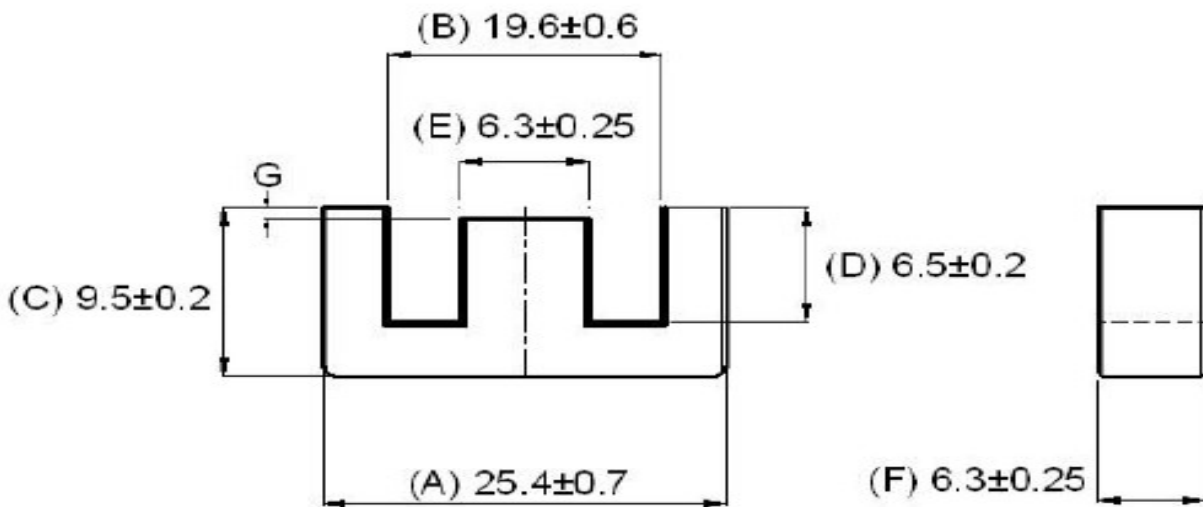
| Parameter | Value | Unit |
|------------------------------|-------|-----------------|
| Effective Length (L_e) | 48.0 | mm |
| Effective Area (A_e) | 40.0 | mm ² |
| Effective Area (A_{Min}) | 39.7 | mm ² |
| Effective Volume (V_e) | 1950 | mm ³ |
| Approx. Weight (without gap) | 9.3 | g/set |



EE2506 Un-gapped (OL)

Test Conditions: 1kHz/1mT/CFR COIL,N=100/25°C

| Material Grade | Initial Permeability (μ_{iac}) | AL Value (nH)/Set | P_v (W/set) | Ordering code |
|----------------|--------------------------------------|-------------------|----------------------------|-----------------|
| CF292 | 1800 ±20% | 1550 +30%/-20% | ≤0.23 (100mT,100kHz,100°C) | CF292 EE2506 OL |
| CF139 | 2100 ±20% | 1700 +30%/-20% | ≤0.19 (100mT,100kHz,100°C) | CF139 EE2506 OL |
| CF297 | 2300 ±20% | 1800 +30%/-20% | ≤0.17 (100mT,100kHz,100°C) | CF297 EE2506 OL |
| CF124 | 2500 ±20% | 1900 +30%/-20% | ≤0.29 (200mT,25kHz,100°C) | CF124 EE2506 OL |



Remarks: Value of “G” is Zero (0) for Un-Gapped Cores, for Gapped Cores the value of “G” varies as per the Gap/AL value

