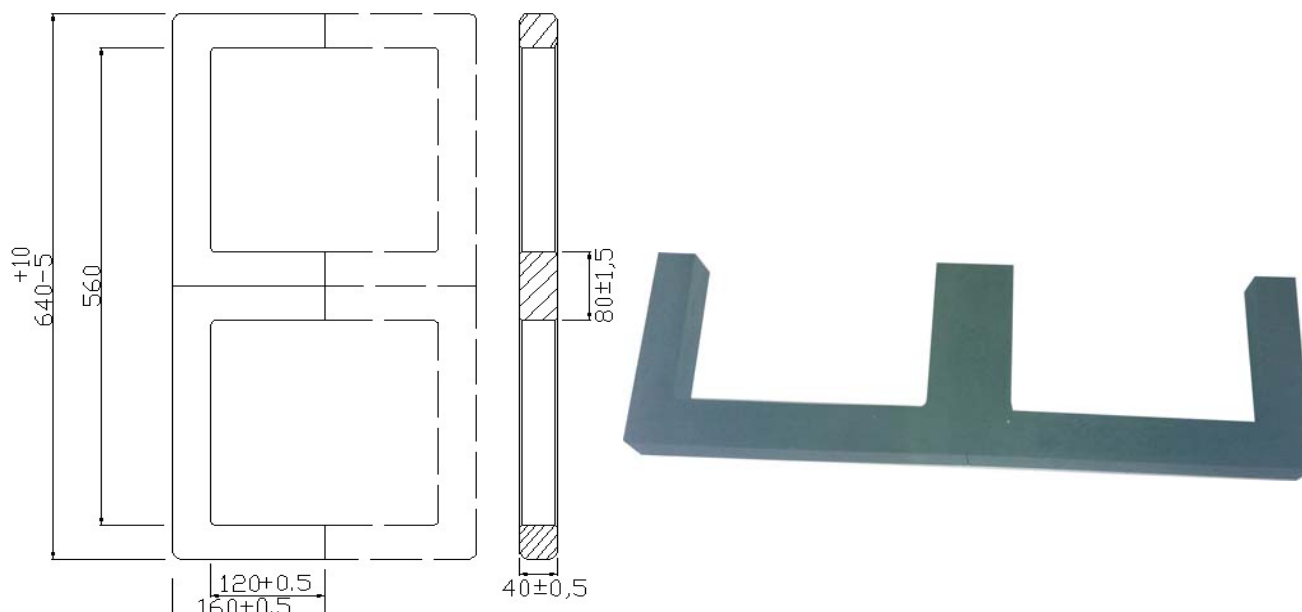
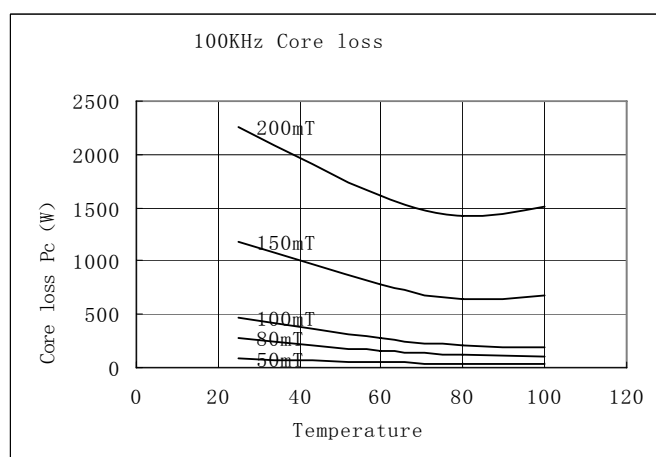
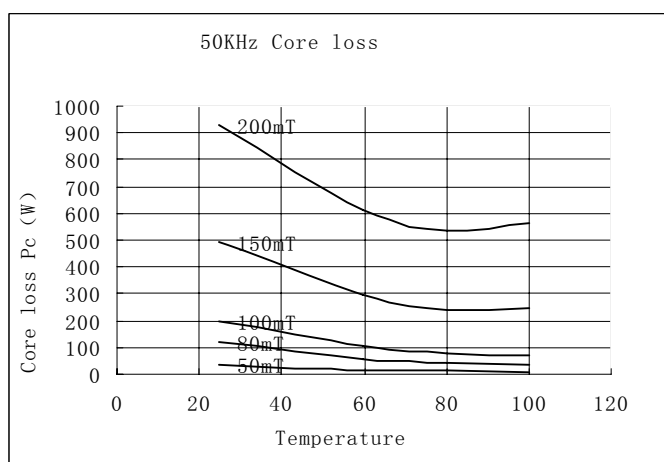


EE640



Parameter	Symbol	Value	Unit
Core constant	C1	0.33	mm ⁻¹
Effective path length	Le	1080	mm
Effective area	Ae	3200	mm ²
Effective volume	Ve	3584000	mm ³
Inductance factor	AL	8595	nH/N ²
Weight of set	W	17203	g



Circuit Type	Calculated Output Power				Unit W
	Switching Frequency				
	20KHz	50KHz	100KHz	250KHz	
Push-pull converter	1193800	1939900	2686000	5221600	
Flyback converter	397900	646600	895300	1740500	
Forward converter	596900	969900	1343000	2610800	