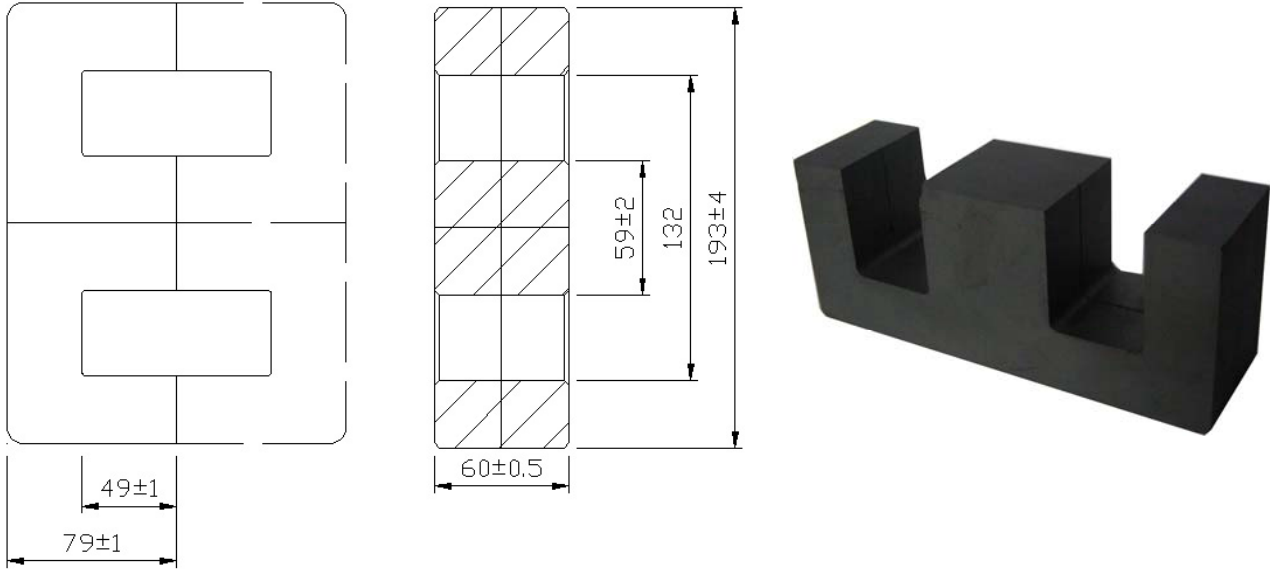
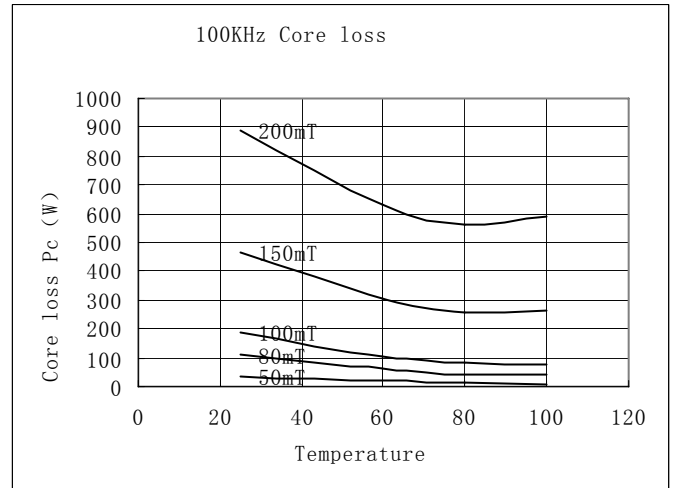
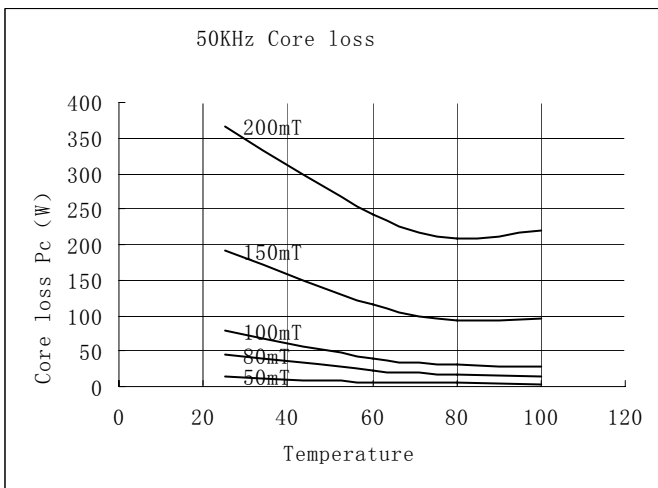


EE193/60



Parameter	Symbol	Value	Unit
Core constant	C1	0.099	mm ⁻¹
Effective path length	Le	358	mm
Effective area	Ae	3540	mm ²
Effective volume	Ve	1400400	mm ³
Inductance factor	AL	26000	nH/N ²
Weight of set	W	6750	g



Circuit Type	Calculated Output Power				Unit W
	Switching Frequency				
	20KHz	50KHz	100KHz	250KHz	
Push-pull converter	83400	135500	187600	364800	
Flyback converter	27800	45100	62500	121600	
Forward converter	41700	67700	93800	182400	