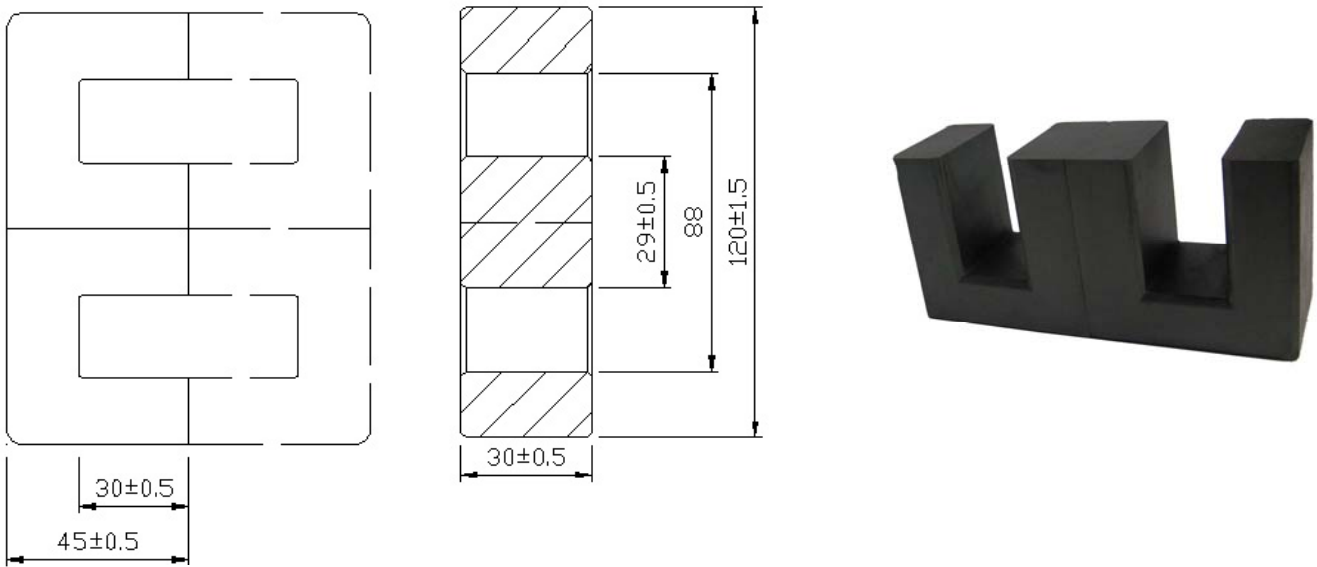
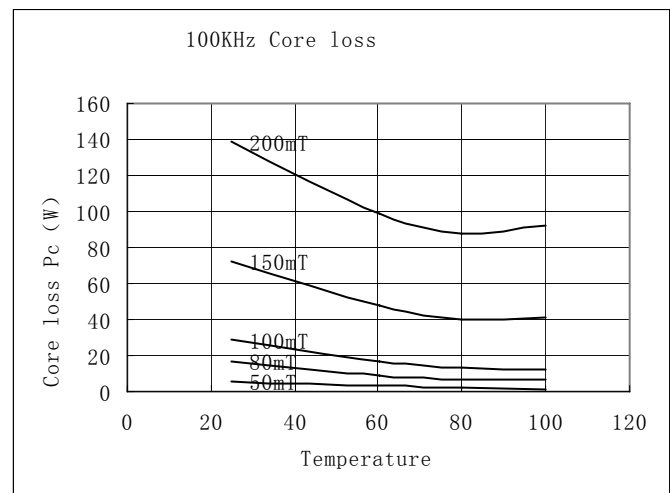
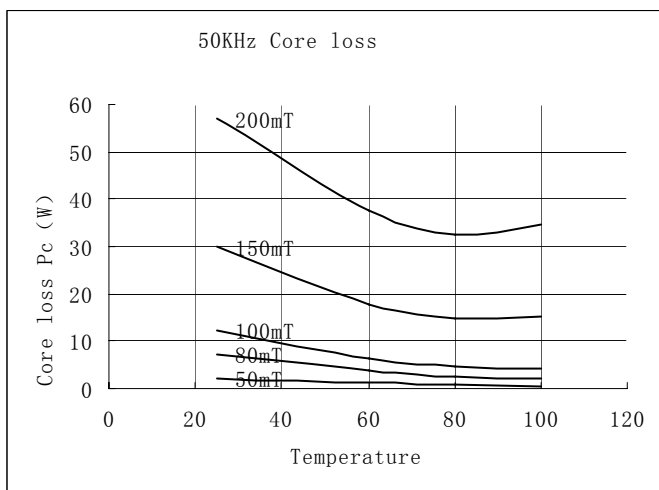


# EE120



Parameter	Symbol	Value	Unit
Core constant	C1	0.247	mm <sup>-1</sup>
Effective path length	Le	223	mm
Effective area	Ae	900	mm <sup>2</sup>
Effective volume	Ve	219600	mm <sup>3</sup>
Inductance factor	AL	10200	nH/N <sup>2</sup>
Weight of set	W	1050	g



Circuit Type	Calculated Output Power				Unit:W
	Switching Frequency				
	20KHz	50KHz	100KHz	250KHz	
Push-pull converter	10100	16400	22800	44300	
Flyback converter	3300	5400	7600	14700	
Forward converter	5000	8200	11400	22100	