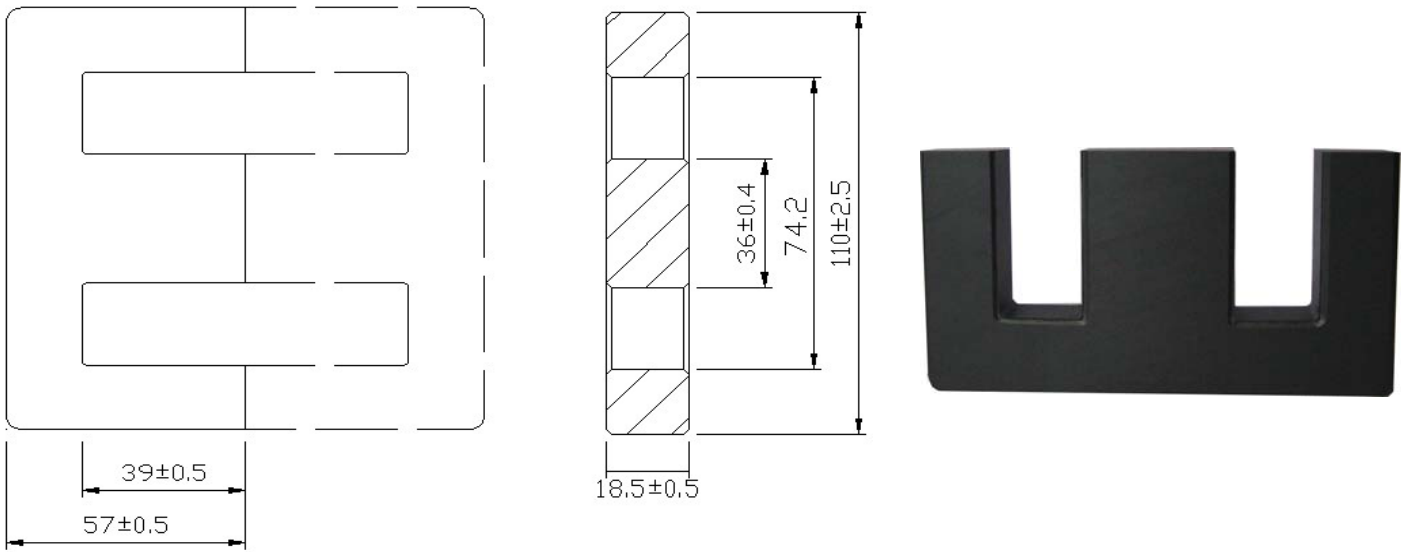
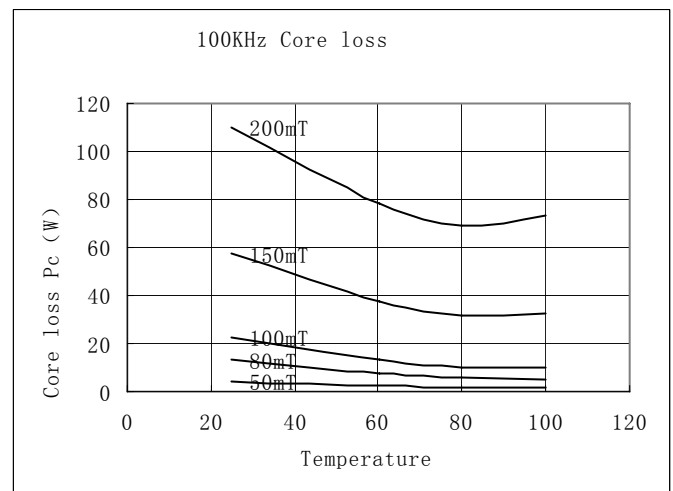
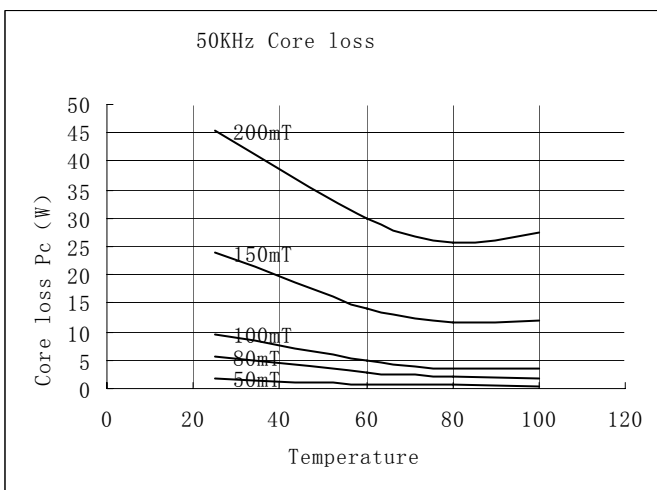


EE110/18.5



Parameter	Symbol	Value	Unit
Core constant	C1	0.375	mm ⁻¹
Effective path length	Le	250	mm
Effective area	Ae	666	mm ²
Effective volume	Ve	174270	mm ³
Inductance factor	AL	7000	nH/N ²
Weight of set	W	830	g



Circuit Type	Calculated Output Power				Unit:W
	Switching Frequency				
	20KHz	50KHz	100KHz	250KHz	
Push-pull converter	6700	10900	15100	29400	
Flyback converter	2200	3600	5000	9800	
Forward converter	3300	5400	7500	14700	