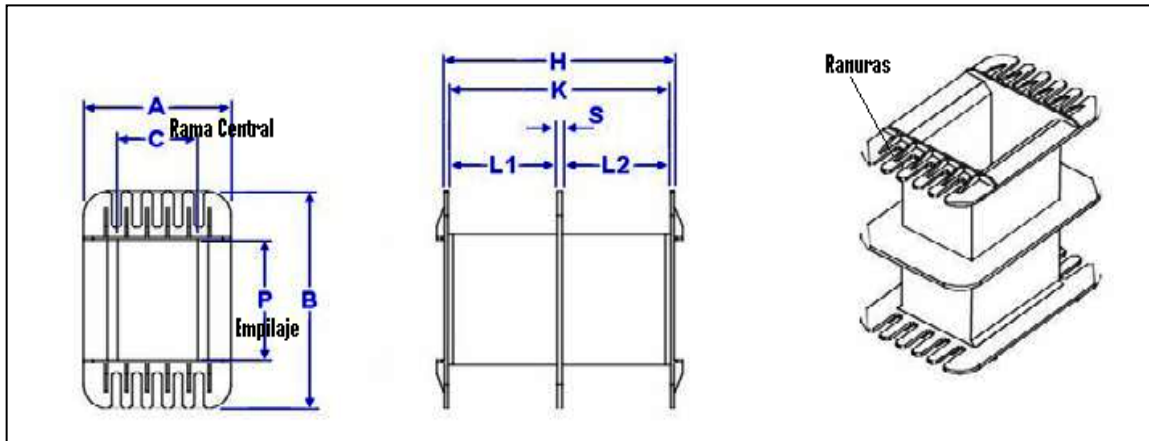


UI-75



UI-75 (CIRCUITO 125X125)

Tolerancia: ± 0.2

MOD	REF	C	P	A	B	H	K	L1	L2	S	RANURAS
25X25X75 PH	230033	26	25.8	48.9	57.4	73.8					4+0 / 0+0
25X30X75 PH	230031	26	30.8	48.9							4+4 / 4+0
25X40X75 PH	230034	26	40.8	48.9	73.0	78.3					4+4 / 4+0



Prodin Ferrite S.L.

CalleA, 27, 08620 Sant Vicenç dels Horts, Barcelona (Spain)

Tel.: +34 93 672 46 10

info@prodinferrite.com www.prodinferrite.com