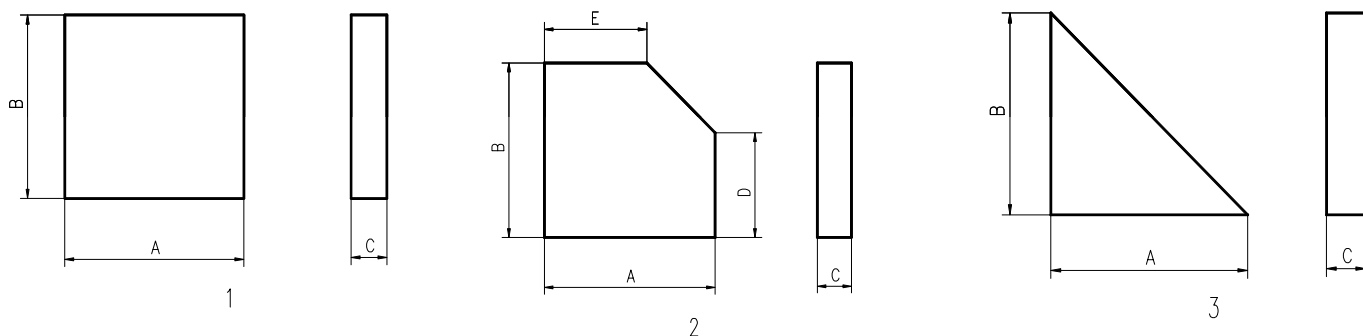


FK Cores



尺寸Dimensions(mm)

| 型号 Type | 图号 Fig | A | B | C | D | E | 重量 Weight(g/pc) |
|------------------|--------|-----------|-----------|----------|----------|----------|-----------------|
| FK37.63/37.63/20 | 3 | 37.63±0.3 | 37.63±0.3 | 20.0±0.3 | | | 68 |
| FK50/50/8.3 | 1 | 50.0±0.3 | 50±0.3 | 8.5±0.2 | | | 102 |
| FK51.7/37.6/20 | 2 | 51.7±0.3 | 51.7±0.3 | 20.0±0.2 | 37.6±0.3 | 37.6±0.3 | 247 |
| FK51.7/41.7/20 | 2 | 51.7±0.3 | 51.7±0.3 | 20.0±0.3 | 41.7±0.3 | 41.7±0.3 | 252 |
| FK51.7/51.7/20 | 1 | 51.7±0.3 | 51.7±0.3 | 20.0±0.3 | | | 257 |
| FK100/100/10 | 1 | 100.0±1.0 | 100.0±1.0 | 10.0±0.5 | | | 470 |



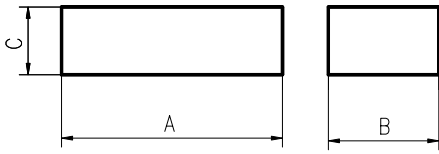
Prodin Ferrite S.L.

CalleA, 27, 08620 Sant Vicenç dels Horts, Barcelona (Spain)

Tel.: +34 93 672 46 10

info@prodin ferrite.com www.prodin ferrite.com

I Cores

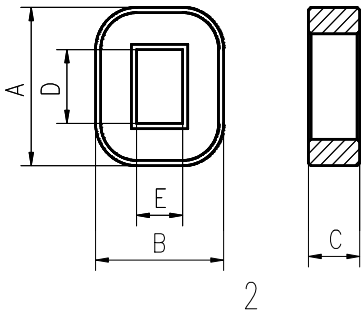
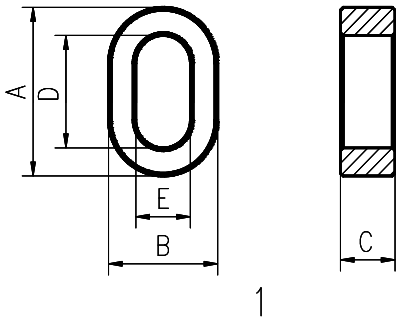


4

尺寸Dimensions(mm)

| 型号 Type | 图号 Fig | A | B | C | 重量Weight(g/pc) |
|------------------|--------|---------------------------------------|-----------|--------------------------------------|----------------|
| I35/9.5/4.5 | 4 | 35.0±0.3 | 9.5±0.3 | 4.5±0.2 | 7.2 |
| I42/23/4 | 4 | 42.0±0.4 | 23.0±0.3 | 4.0±0.15 | 19 |
| I50/15/9 | 4 | 50.0±0.5 | 15.0±0.3 | 9.0±0.3 | 33 |
| I54/23/4 | 4 | 54.0±0.6 | 23.0±0.3 | 4.0±0.15 | 24 |
| I60/15/5 | 4 | 60.4±0.8 | 15.0±0.3 | 5.0±0.2 | 22 |
| I60/15/4.9 | 4 | 59.5±0.8 | 15.0±0.3 | 4.9±0.2 | 21 |
| I60/15.5/8 | 4 | 60.0±0.8 | 15.5±0.3 | 8.5±0.3 | 38 |
| I60/20/4.5 | 4 | 60.5±0.8 | 20.5±0.3 | 4.5±0.25 | 27 |
| I60/23/4 | 4 | 60.0±0.8 | 23.0±0.3 | 4.0±0.2 | 27 |
| I70/15/5 | 4 | 70.0±1.0 | 15.0±0.3 | 5.0±0.2 | 25 |
| I70/19.5/10.5 | 4 | 70.0±1.5 | 19.5±0.5 | 10.5±0.5 | 69 |
| I72/23/4 | 4 | 72.0±0.7 | 23.0±0.3 | 4.0±0.15 | 32 |
| I93/28/30 | 4 | 93.0±1.8 | 27.5±0.5 | 30.0±0.6 | 368 |
| I101.6/50.8/25.4 | 4 | 101.6±1.5 | 50.8±0.6 | 25.4±0.6 | 615 |
| I114.3/50.8/25.4 | 4 | 114.3±2.0 | 50.8±0.64 | 25.4±0.64 | 708 |
| I118/35/17 | 4 | 118 ^{+1.5} _{-2.5} | 35.0±0.7 | 17.5±0.5 | 347 |
| I120/25/25 | 4 | 120.0±2.0 | 25.0±0.6 | 25.0±0.6 | 360 |
| I150/25/25 | 4 | 150.0 ^{+3.0} _{-1.0} | 25.0±0.6 | 25.0 ^{+1.4} _{-0.5} | 450 |
| I155/25/25 | 4 | 155.0±3.0 | 25.0±0.6 | 25.0±0.6 | 465 |
| I200/25/10 | 4 | 200.0±2.0 | 25.0±0.6 | 9.5±0.5 | 240 |

DT Cores



| 型号 Type | DT26 | DT29 | DT100 | DT150 | |
|-------------------------|-----------------------|-----------|----------|-----------|-----------|
| 图号 Fig | 1 | 1 | 1 | 2 | |
| 尺寸 Dimensions(mm) | A | 25.7±0.3 | 28.3±0.4 | 100.0±2.5 | 150.0±4.0 |
| | B | 19.6±0.3 | 19.3±0.4 | 65.5±1.5 | 130.0±2.5 |
| | C | 13.3±0.25 | 9.4±0.3 | 17.0±1.0 | 40.0±3.0 |
| | D | 17.3±0.3 | 20.6±0.4 | 72.0±1.0 | 70.0±2.0 |
| | E | 10.9±0.25 | 11.1±0.4 | 40.0±1.0 | 50.0±3.0 |
| 磁心参数 Core parameters | C1(mm ⁻¹) | 1.030 | 1.570 | 0.812 | 0.223 |
| | le(mm) | 57.7 | 65.6 | 234 | 366 |
| | Ae(mm ²) | 56.2 | 41.8 | 288 | 1640 |
| | Ve(mm ³) | 3240 | 2740 | 67400 | 600000 |
| 重量 Weight (g/pc) | 16 | 15 | 220 | 2500 | |
| 电感因数 AL | HP1 | 5000 | 3000 | | |
| | LP3 | | | 2600 | 8000 |

注：电感因数AL value

单位Unit:nH/N²

测试条件Measuring conditions:10kHz,0.1V,25°C

公差Tolerance:±25%