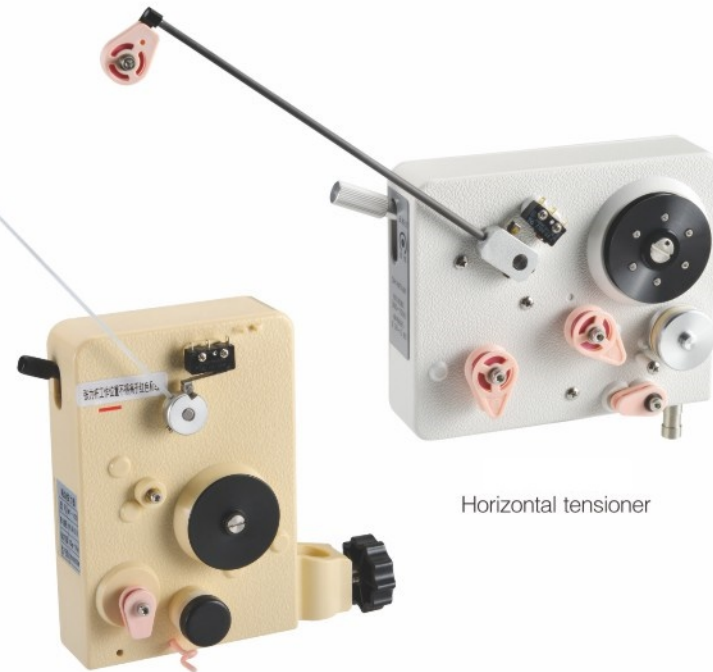


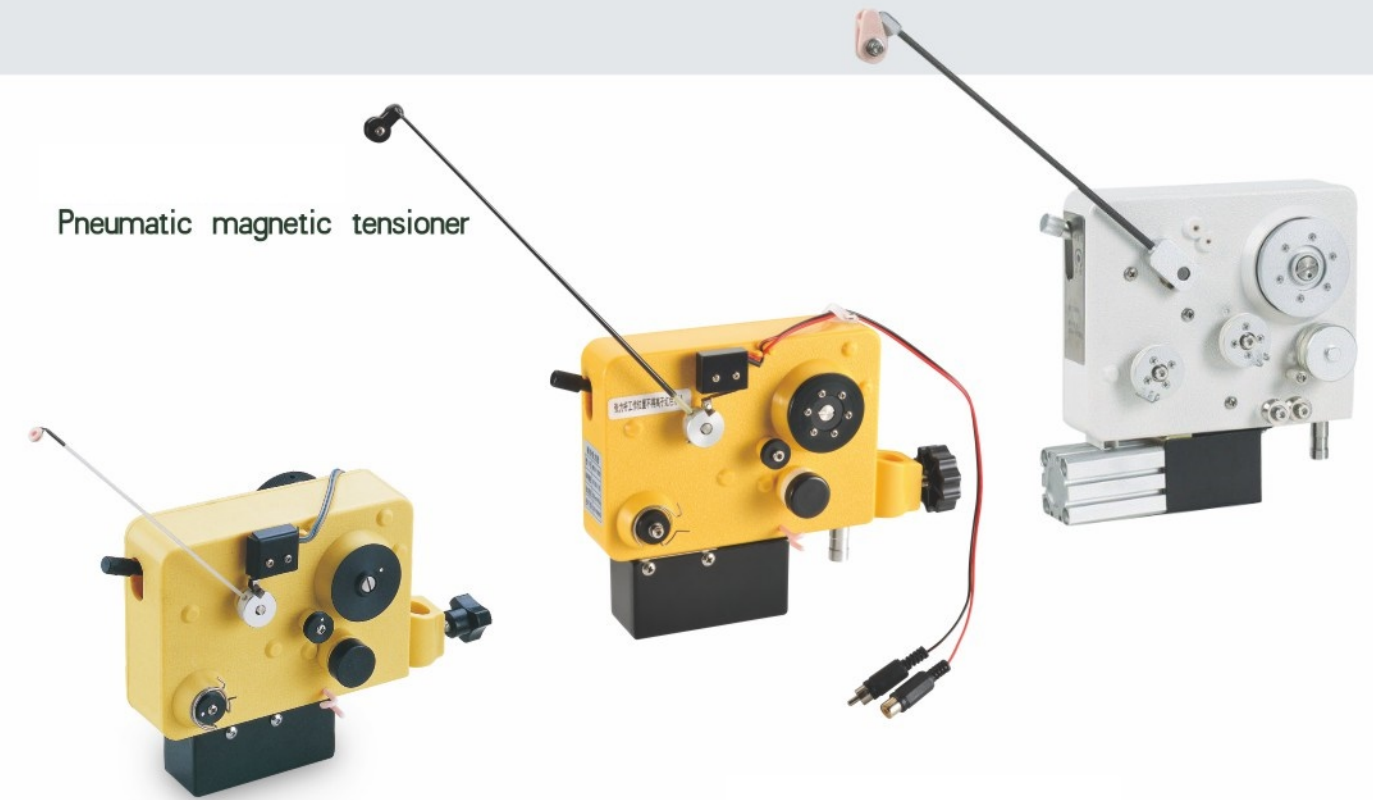
MAGNETIC TENSIONER

Vertical magnetic tensioner



Horizontal tensioner

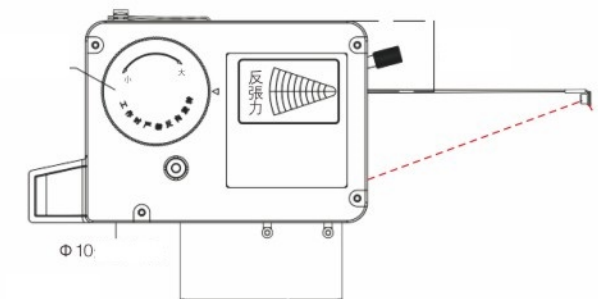
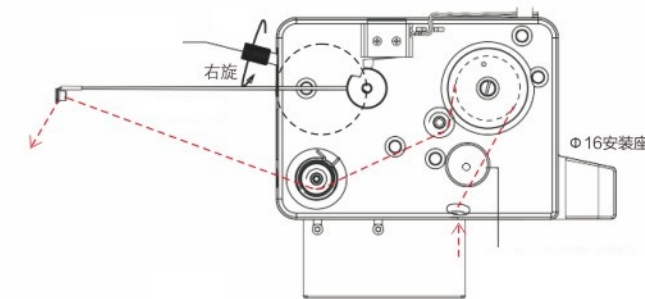
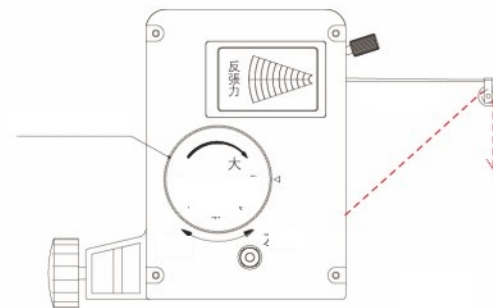
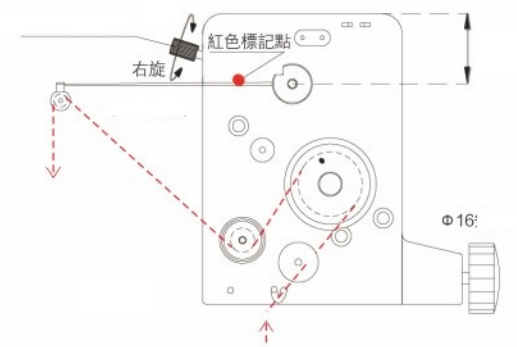
Pneumatic magnetic tensioner



MT as a standard magnetic tension device
MTA device for the pneumatic magnetic tension (with attenuation)

Features

- Magnetic torque tension device produced through the magnetic damping, no mechanical friction, so they can have long-term and stable tension, and the precision can be effectively guaranteed.



Technical parameters (eg. enameled wire)

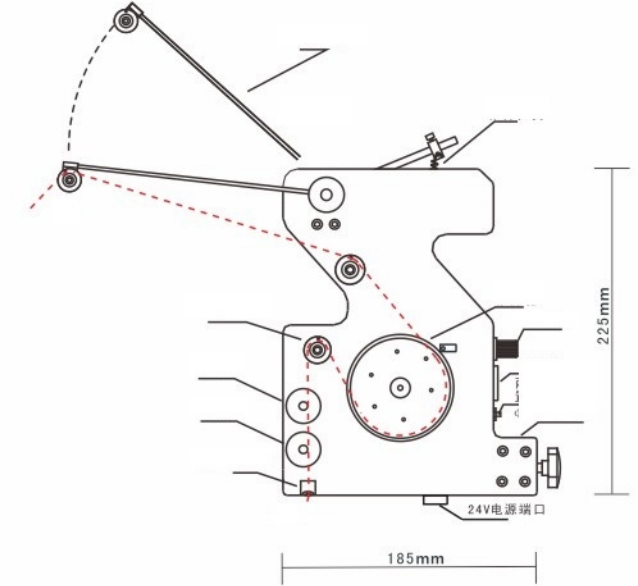
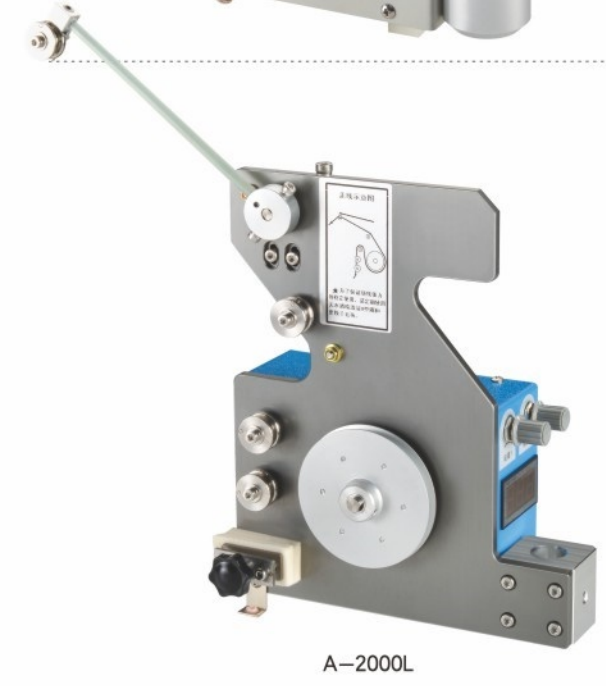
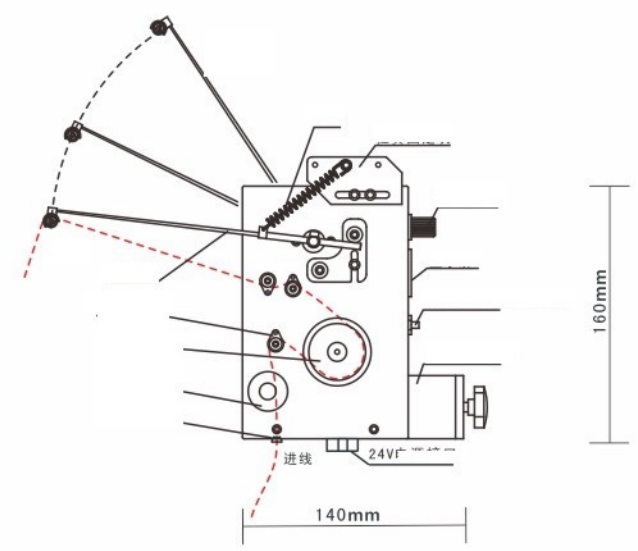
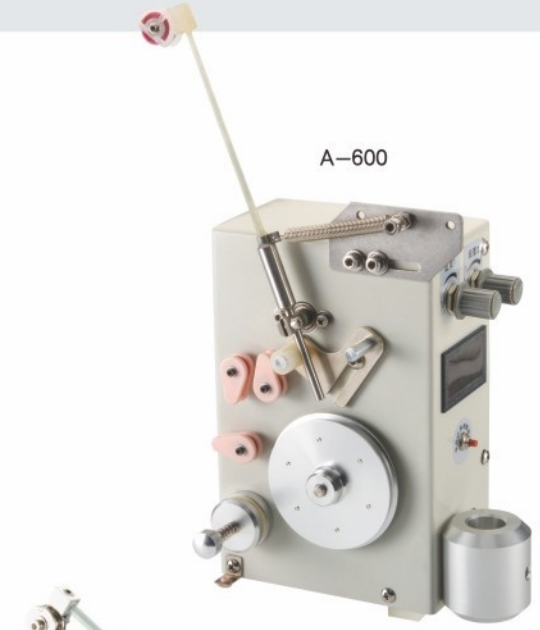
Model	(mm) Use Wire Range	(g) Tension Range
MT/MTA-30	0.02~0.08	3~30
MT/MTA-100	0.04~0.12	10~100
MT/MTA-200	0.06~0.16	25~200
MT/MTA-400	0.08~0.25	50~400
MT/MTA-600	0.12~0.35	80~600
MT/MTA-800	0.14~0.50	100~800
MT/MTA-1500	0.25~0.8	200~1500
MT/MTA-2500	0.3~1.0	300~2500

Products of other specification and technical requirement can be tailored according to the drawing provided by clients.

MAGNETIC TENSIONER

ELECTRONIC TENSIONER

Magnetic tensioner



Technical parameters

Model	Wire Range (mm)	Tension Range (g)
MTYA-120	0.03-0.14	5-120
MTYA-400	0.06-0.25	40-400
MTYA-800	0.08-0.4	50-800

Technical parameters

Model	Wire Range (mm)	Tension Range (g)
MTE-30	0.02-0.08	3-30
MTE-100	0.03-0.14	10-100
MTE-200	0.05-0.16	25-200
MTE-400	0.06-0.25	40-400
MTE-800	0.08-0.4	50-800

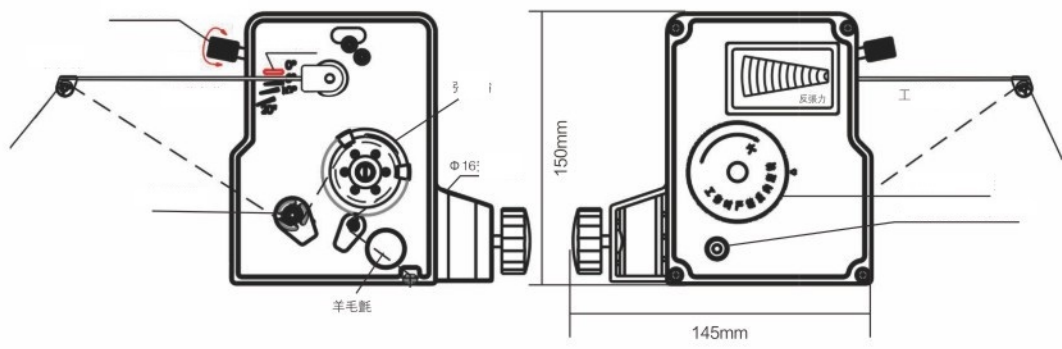
Technical parameters

(EG. ENAMELED WIRE)

Model	Wire Range (mm)	Tension Range (g)
A-30	Φ 0.02-0.06	3-30
A-100	Φ 0.04-0.14	10-100
A-200	Φ 0.06-0.17	20-200
A-300	Φ 0.10-0.25	30-350
A-600	Φ 0.12-0.35	60-600
A-1000	Φ 0.15-0.45	100-1000
A-1500L	Φ 0.15-0.5	100-1500
A-2000L	Φ 0.18-0.65	200-2000
A-5000L	Φ 0.3-1.0	500-5000

Electronic tensioner

Test conditions: linear velocity uniform 5M / S skeleton circular prevail

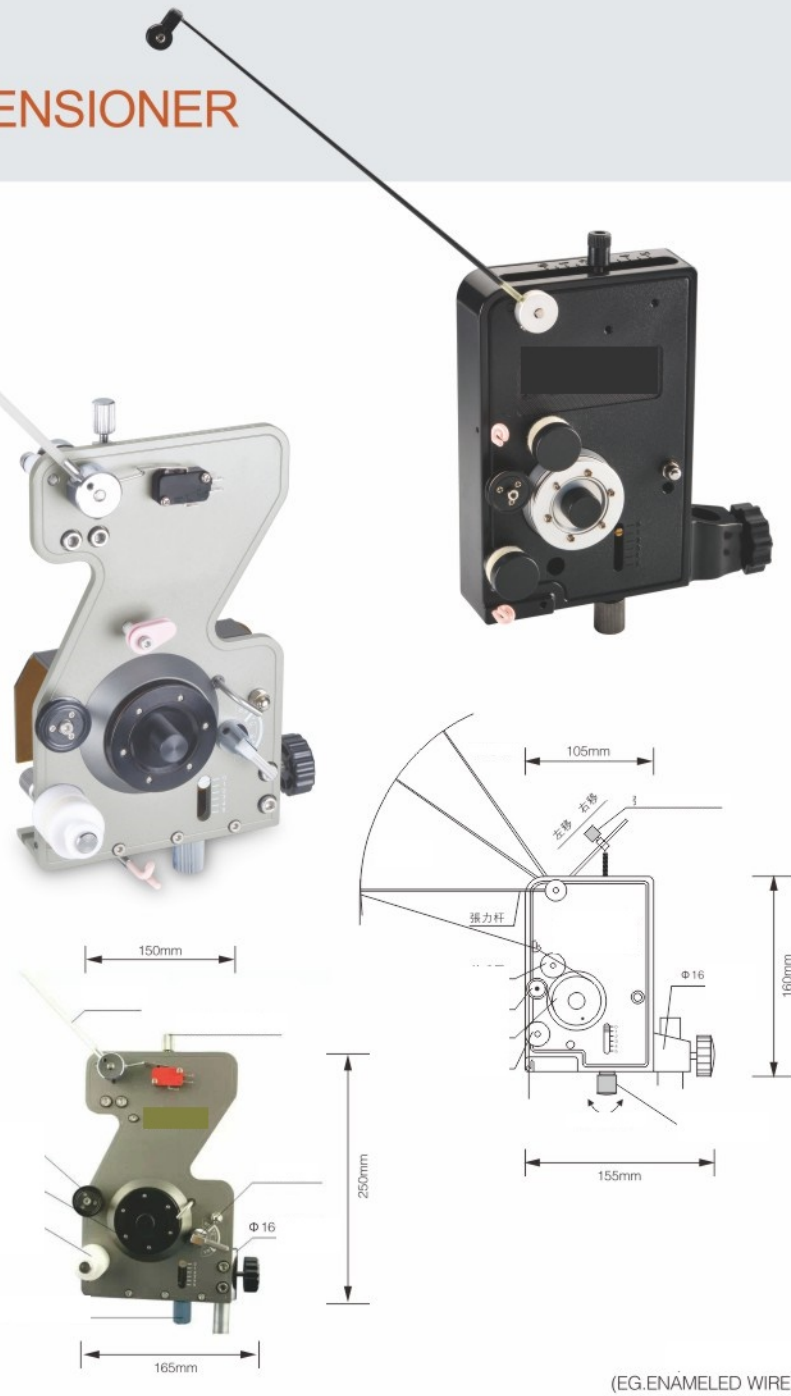


MECHANICAL TENSIONER

DAMPING TENSIONER

Features

- Tension control is a key part that produces adjustable tension during winding to bestow enameled wire with appropriate tension during winding and guarantee reasonable firmness of wire coil wound and therefore the consistence of technical indexes of wire coil.



Technical parameters(eg.enameled wire)

(EG.ENAMELED WIRE)

Model	(mm) Use Wire Range	(g) Tension Range
TCSS	0.02~0.04	2.0~11
TCSS-X	0.03~0.06	7.0~30
TCSS	0.04~0.08	9.0~50
TCSS-W	0.03~0.08	6.0~50
TCS-E	0.06~0.13	20~130
TCS	0.08~0.16	40~200
TCM	0.16~0.25	90~500
TCMM	0.12~0.40	70~600
TCL	0.20~0.60	200~2000
TCLL	0.50~1.20	1000~5000
TCLLL	0.60~2.00	2000~10000

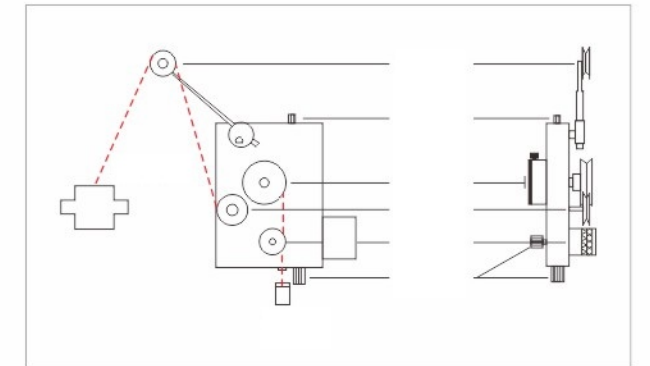
Features

- Magnetic damping tensioner is a magnetic field of media tension constant torque transfer device, the damping plate and the magnet does not touch, sliding without friction, long life, tension control is extremely stable. Installation of simple structure, easy to adjust the output torque, compact design, small size, stability in a variety of locations.



MTB-03A

MTB-05A



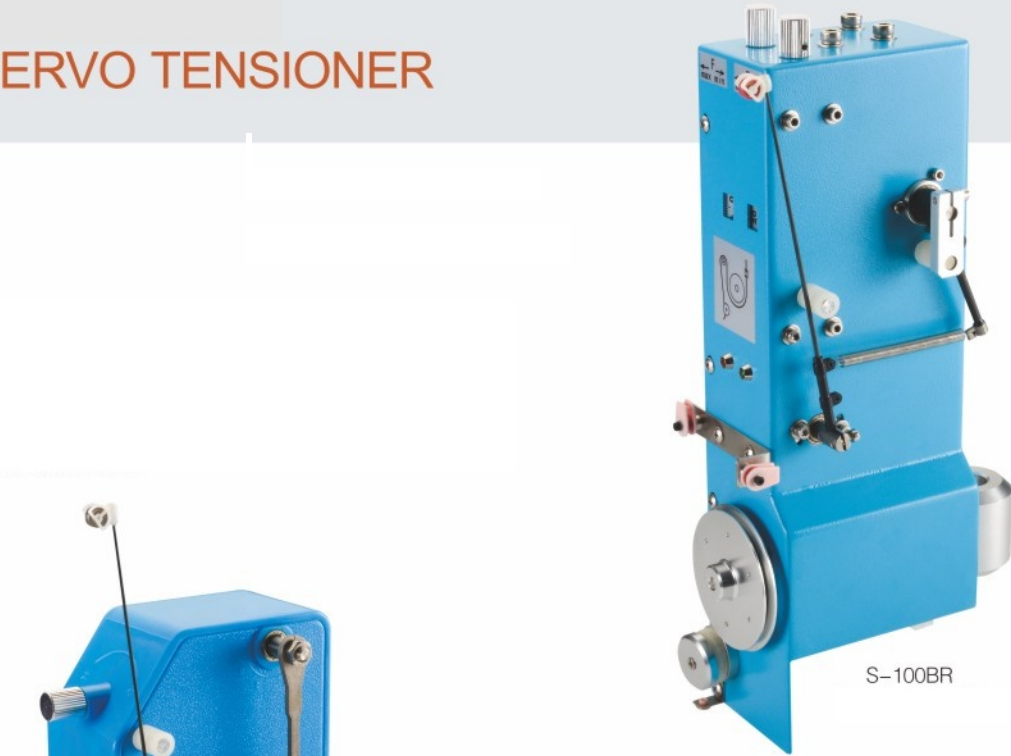
Technical parameters

(EG.ENAMELED WIRE)

Model	(mm) Use Wire Range	(g) Tension Range
MTB-02(A)	0.04~0.08	5~100
MTB-03(A)	0.06~0.25	20~300
MTB-04(A)	0.16~0.40	150~500
MTB-05(A)	0.40~0.80	200~1600
MTB-06(A)	0.80~4.0	600~4000
MTB-07(A)	1.0~5.0	800~10000

SERVO TENSIONER

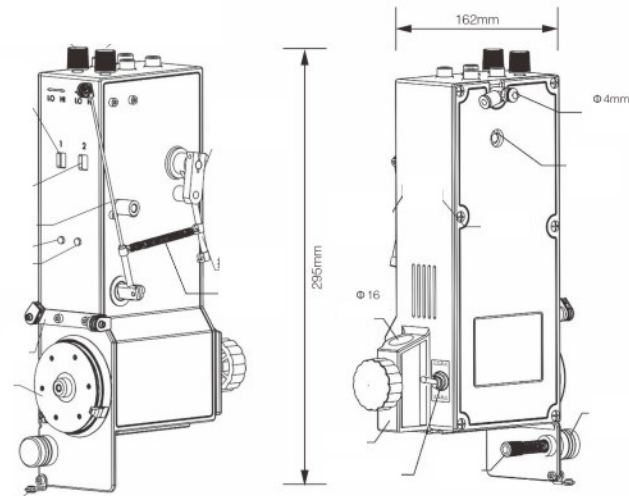
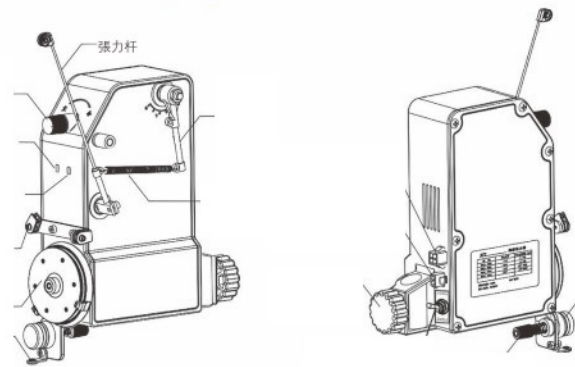
Features



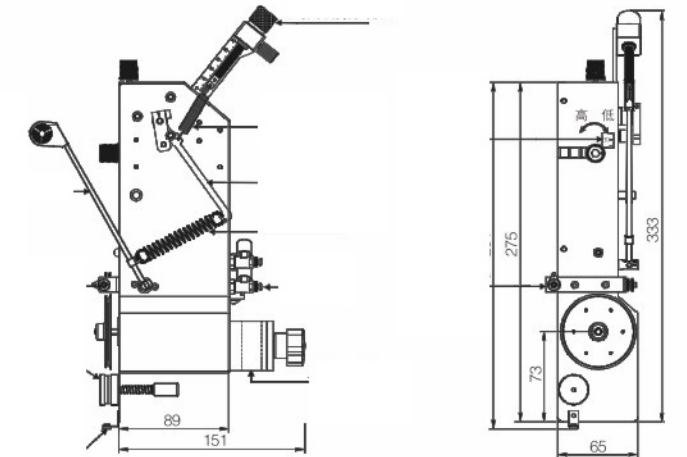
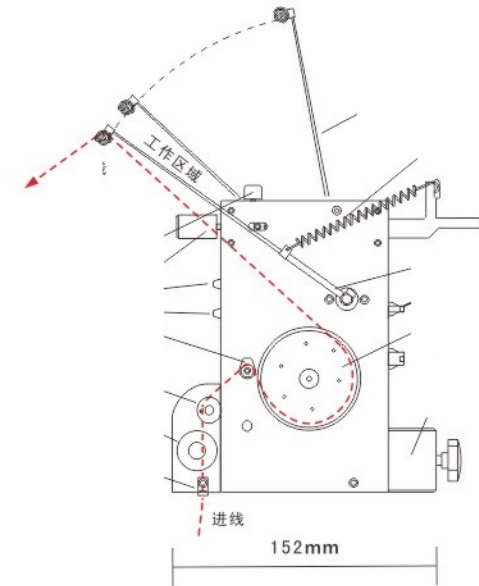
S-100BR



S-100B



Tension wheel



Technical parameters

(EG.ENAMELED WIRE)

Model	Use Wire Range (mm)	Tension Range (g)	Max line speed (m/s)
SET-100	0.01-0.12	1~100	4.5/9
SET-200	0.02-0.17	2~200	4.5/9
SET-300	0.03-0.22	5~300	4.5/9
SET-500	0.05-0.32	20~500	4.5/9
SET-600	0.06-0.35	20~600	4.5/9
SET-1000	0.10-0.45	30~1000	6/12
SET-2000	0.18-0.80	200~2000	7/14

Technical parameters

Model	Wire Range (mm)	Tension Range (g)
S-100B	0.01-0.12mm	1-100g · f
S-200B	0.02-0.16mm	2-200g · f
S-300B	0.03-0.22mm	3-300g · f

Technical parameters

Model	Wire Range (mm)	Tension Range (g)
S-100BR	0.01-0.12mm	1-100g · f
S-200BR	0.02-0.16mm	2-200g · f
S-300BR	0.03-0.22mm	3-300g · f