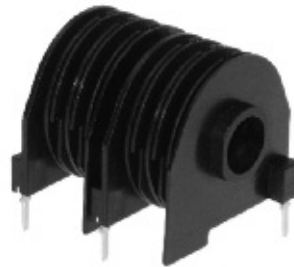
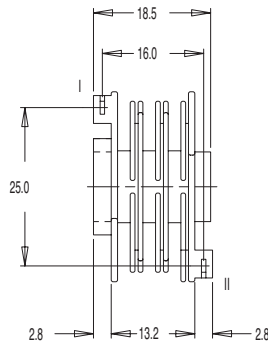
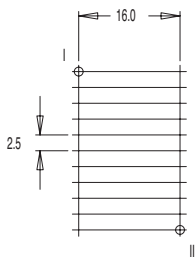
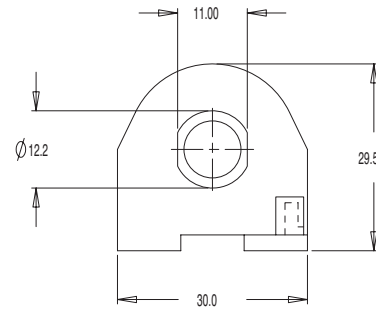
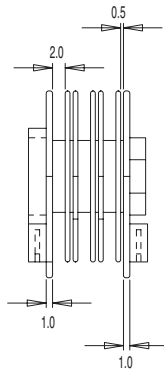
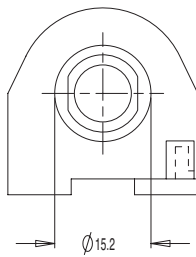
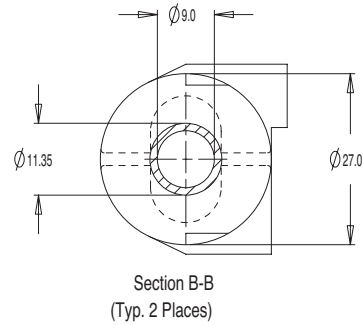
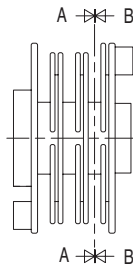
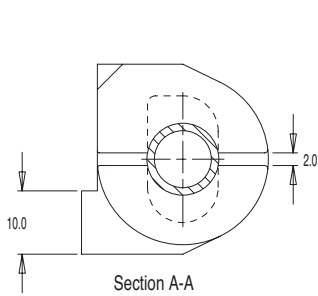
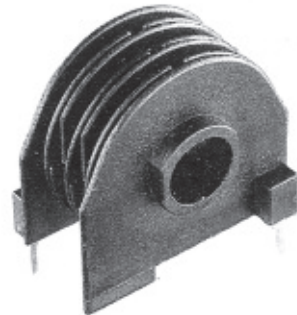


## GAS IGNITION - 3 CHAMBER Ø9.0 BORE



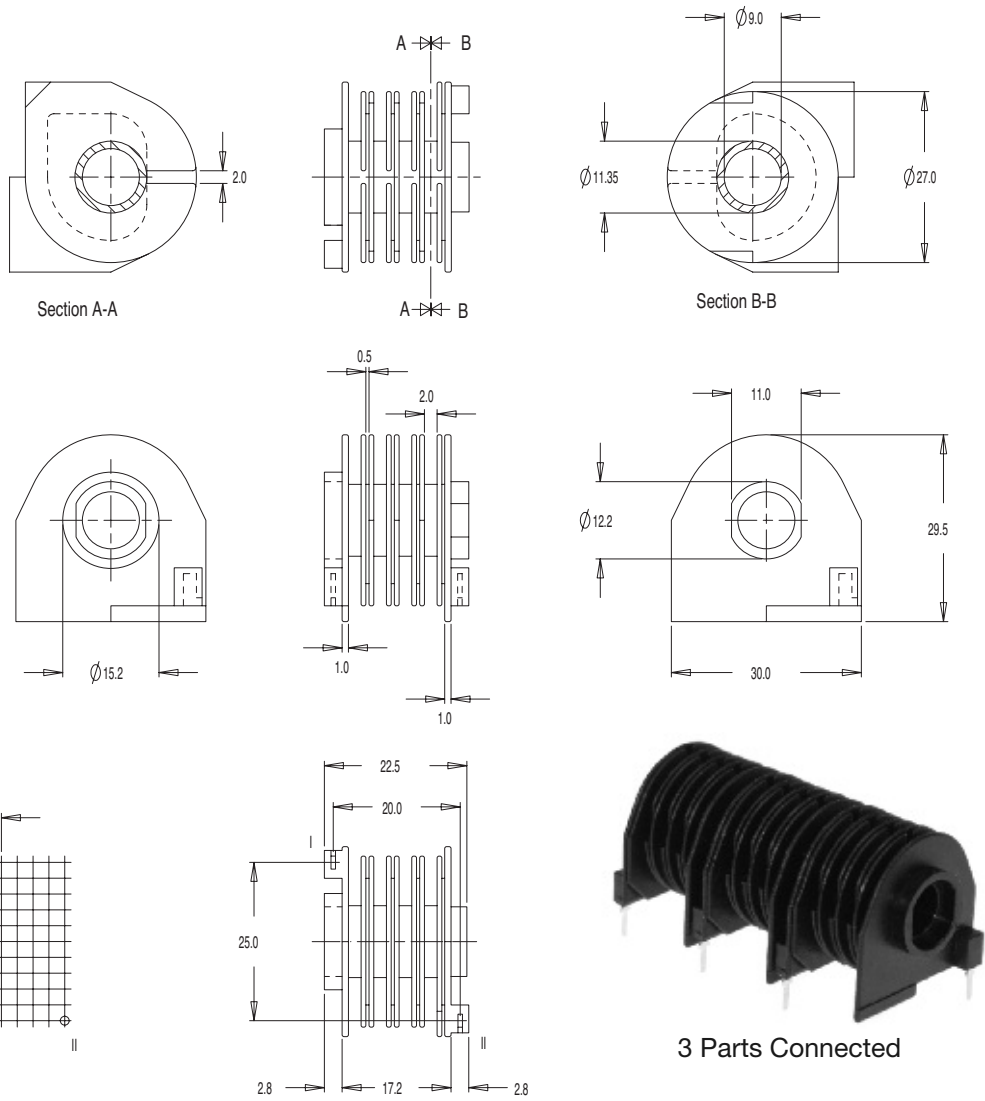
2 Parts Connected



Description	Type	Terminal type	No. of terminals available	Part No.
Gas Ignition	3 chamber	TBS 600 series	2	GI6500

Standard materials: Nylon 66 glass reinforced Dimensions in millimetres

**GAS IGNITION - 4 CHAMBER**  
**Ø9.0 BORE**



3 Parts Connected

Description	Type	Terminal type	No. of terminals available	Part No.
Gas Ignition	4 chamber	TBS 600 series	2	GI6510

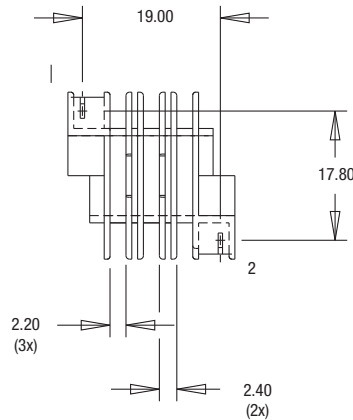
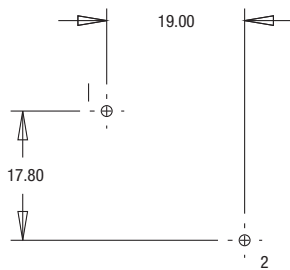
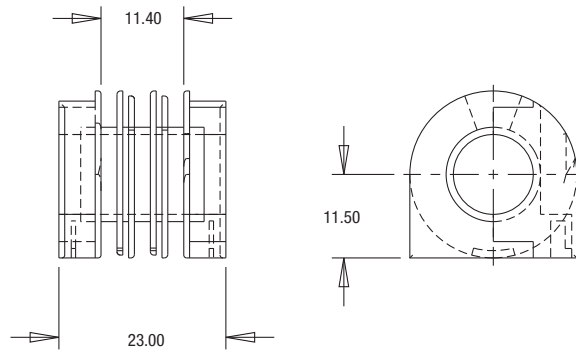
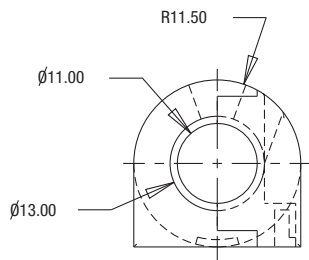
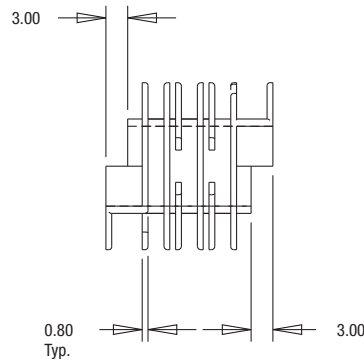
Standard materials: Nylon 66 glass reinforced    Dimensions in millimetres



GAS IGNITION - 3 CHAMBER  
Ø11.0 BORE



GI4700GNNBLK0001



Description	Type	Terminal type	No. of terminals available	Part No.
Gas Ignition	3 chamber	TBS 600 Series	2	GI4700

Standard materials: Nylon 66 glass reinforced Dimensions in millimetres



Prodin Ferrite S.L.

Calle A, 27, 08620 Sant Vicenç dels Horts, Barcelona (Spain)

Tel.: +34 93 672 46 10

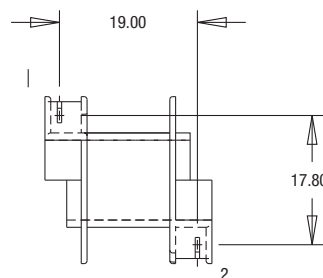
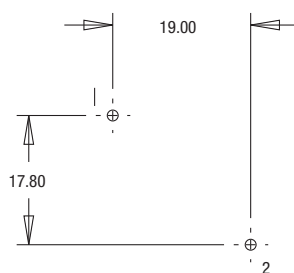
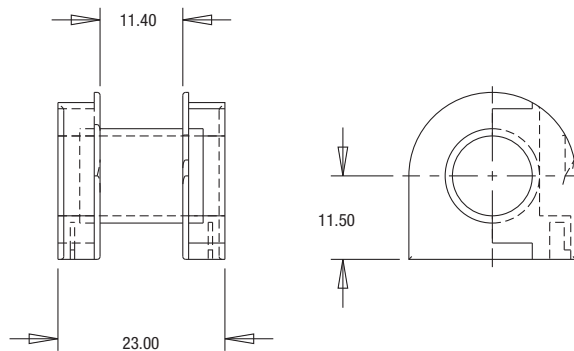
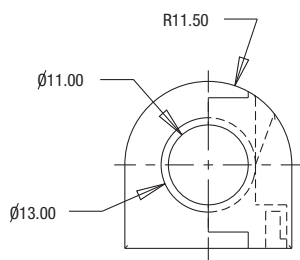
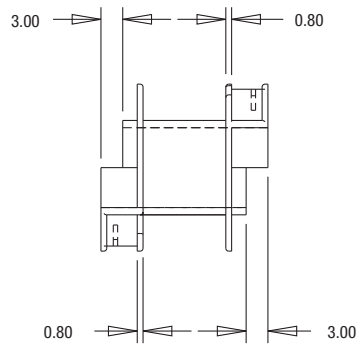
[info@prodinferrite.com](mailto:info@prodinferrite.com) [www.prodinferrite.com](http://www.prodinferrite.com)



## GAS IGNITION - SINGLE CHAMBER Ø11.0 BORE



GI4740GNNBLK0001



Description	Type	Terminal type	No. of terminals available	Part No.
Gas Ignition	Single chamber	TBS 600 Series	2	GI4740

Standard materials: Nylon 66 glass reinforced Dimensions in millimetres



**Prodin Ferrite S.L.**

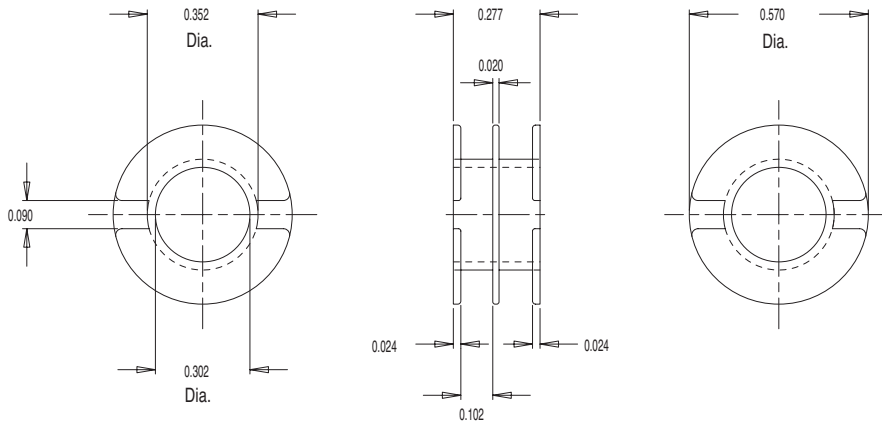
Calle A, 27, 08620 Sant Vicenç dels Horts, Barcelona (Spain)

Tel.: +34 93 672 46 10

[info@prodinferrite.com](mailto:info@prodinferrite.com) [www.prodinferrite.com](http://www.prodinferrite.com)



### 5001



Description	Type	Terminal type	No. of terminals available	Part No.
5001	DS	-	-	VM1200

Standard materials: Nylon 66 glass reinforced  
 Dimensions in inches

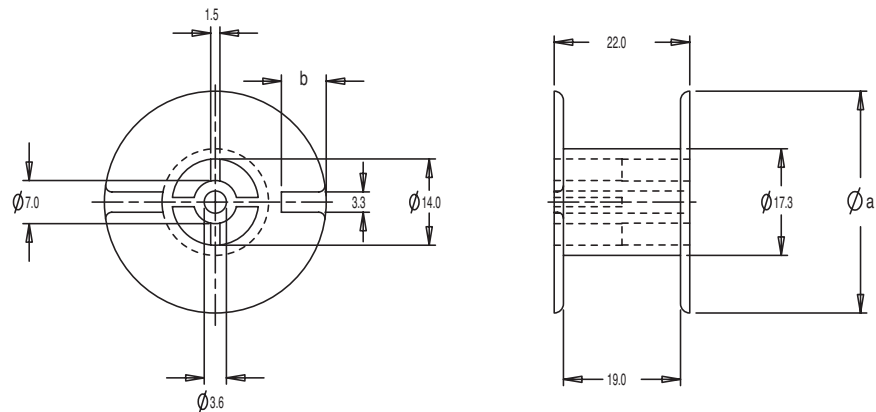
## SOLENOID BOBBINS

Miles-Platts hold particular expertise in the manufacture of solenoid bobbins for a variety of industries including automotive, medical, industrial, commercial & vending.

As each bobbin is customer specific and designed specifically for the individual application it is not possible to show all of the products here.

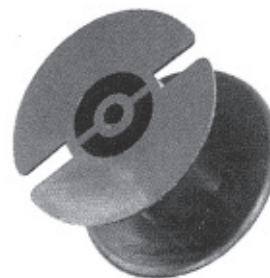
For further details on solenoid bobbin design please refer to [sales@milesplatts.co.uk](mailto:sales@milesplatts.co.uk)

The following bobbins are standard products.



Bobbin type	Øa	b	Part No.
4275 SOLENOID A	35.5	9.1	VM1100
4275 SOLENOID B	50.4	6.5	VM1101
4275 SOLENOID C	69.5	6.5	VM1102

Standard materials: Nylon 66 Dimensions in millimetres



### Prodin Ferrite S.L.

Calle A, 27, 08620 Sant Vicenç dels Horts, Barcelona (Spain)

Tel.: +34 93 672 46 10

[info@prodinferrite.com](mailto:info@prodinferrite.com) [www.prodinferrite.com](http://www.prodinferrite.com)