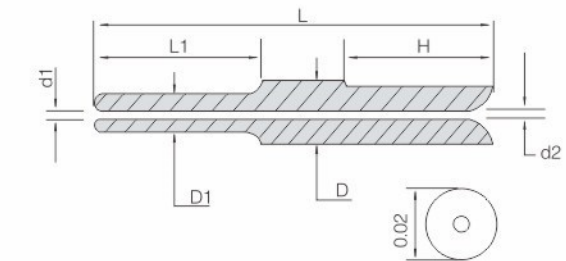




HARD ALLOY NOZZLE



Analysis chart



Specifications

序號 No.	型號 Model	L	L1	D	D1	d1	d2	H
1	W0220-0.8-0602	20	2	0.8	0.6	0.2	0.2	※※
2	W0530-1.5-1007	30	7	1.5	1	0.5	0.5	※※
3	W0530-2-1007	30	7	2	1	0.5	0.5	※※
4	W0635-2-1210	35	10	2	1.2	0.6	0.6	※※
5	W0435-2-1007	35	7	2	1	0.4	0.4	※※
6	W0330-2-0808	30	8	2	0.8	0.3	0.3	※※
7	W0326-2-1007	26	7	2	1	0.3	0.3	※※
8	W0535-2-1010	35	10	2	1	0.5	0.5	※※
9	W0835-2.5-2011	35	11	2.5	2	0.8	0.8	※※
10	W0330-2-1006	30	6	2	1	0.3	0.3	※※
11	W0635-3-1215	35	15	2	1.2	0.6	0.6	※※
12	W0530-3-1010	30	10	3	1	0.5	0.5	※※
13	W0630-3-1008	30	8	3	1	0.6	0.6	※※
14	W0330-3-0807	30	7	3	0.8	0.3	0.3	※※
15	W0630-3-1309	30	9	3	1.3	0.6	0.6	※※
16	W0614-3-1509P	14	9	3	1.5	0.6	0.6	※※
17	W0814-3-1509P	14	9	3	1.5	0.8	0.8	※※
18	W0514-3-1009P	14	9	3	1	0.5	0.5	※※
19	W1030-3	30	※※	3	※※	1	1	直管
20	W0430-3-0808	30	8	3	0.8	0.4	0.4	※※
21	W0626-3-1208	26	8	3	1.2	0.6	0.6	※※
22	W1030-3-2014	30	14	3	2	1	1	※※
23	W1230-3-2514	30	14	3	2.5	1.2	1.2	※※
24	W01530-3-0303	30	3	3	0.3	0.15	0.15	※※
25	W0230-3-0404	30	4	3	0.4	0.2	0.2	※※
26	W0330-3-0504	30	4	3	0.5	0.3	0.3	※※
27	W0825-3	25	※※	3	※※	0.8	0.8	直管
28	W0435-3-1211	35	11	3	1.2	0.4	0.4	※※
29	W03535-3-0811	35	11	3	0.8	0.35	0.35	※※
30	W1025-3-1608	25	8	3	1.6	1	1	※※
31	W1040-3-2210	40	10	3	2.2	1	1	※※
32	W1535-3	35	※※	3	※※	1.5	1.5	直管
33	W1036-3-2016	36	16	3	2	1	1	※※
34	W0630-3-1212	30	12	3	1.2	0.6	0.6	※※
35	W0640-3-1610	40	10	3	1.6	0.6	0.6	※※
36	W0640-3-10T	40	10T	3	10T	0.6	0.6	錐型
37	W0840-3-15T	40	15T	3	15T	0.8	0.8	錐型
38	W1050-3-30T	50	30T	3	30T	1	1	錐型
39	W0830-4-2015	30	15	4	2	0.8	0.8	※※
40	W1243-4-2515P	43	15	4	2.5	1.2	1.2	20
41	W0843-4-2015P	43	15	4	2	0.8	0.8	20
42	W1232-4.5	32	※※	4.5	-	1.2	1.2	直管
43	W1543-4-2512P	43	12	5	2.5	1.5	1.5	20
44	W0843-3.9-2019P	43	19	3.9	2	0.8	0.8	19
45	W2020-5	20	※※	5	※※	2	2	直管

Products of other specification and technical requirement can be tailored according to the drawing provided by clients.

Features

- The product is made precisely of hard alloy and enjoys the hardness up to HRA90. Two terminals and inner hole are all receive mirror surface treatment to ensure enameled wire makes no scrape.



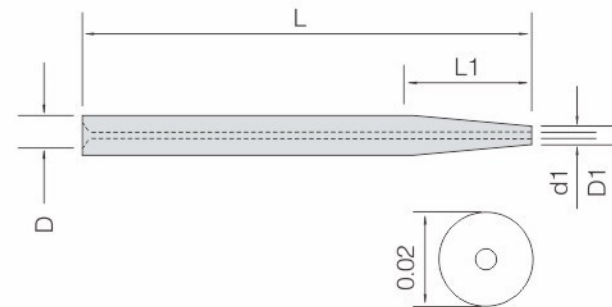
Benefits

- High hardness, resistance to flexure, block and impact.

Application

$d1=d2 \geq 0.15\text{mm}$ $D1 \geq 0.4\text{mm}$

- Applied for wire coiling of various motors.
- Work limit: $d1= d2 \geq 0.15\text{mm}$ $D1 \geq 0.4\text{mm}$



RUBY NOZZLE



Prodin Ferrite S.L.

CalleA, 27, 08620 Sant Vicenç dels Horts, Barcelona (Spain)
 Tel.: +34 93 672 46 10
info@prodinferrite.com www.prodinferrite.com

Features

- The product is made of stainless steel and ruby by precise processing and combination. The rigidity of ruby is above than the level 9 and is just less than that of diamond, It is a single crystal and can be made with high brightness and cleanness. It can effectively protect paint film and long-term continual work to ensure the high insulation of wire coil suffers no hurt.



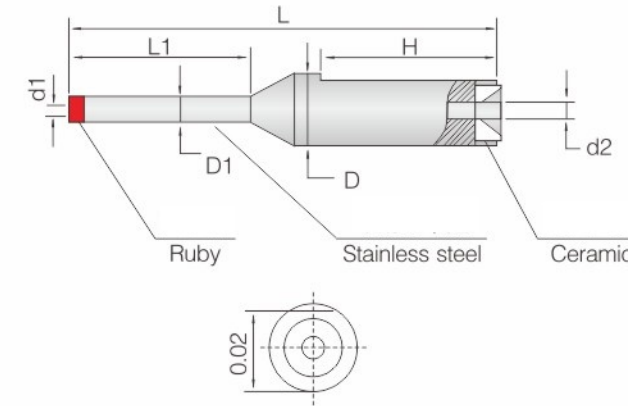
Benefits

- High toughness, low friction coefficient of ruby, long life span.



Application

- 加工極限: $d1 \geq 0.2\text{mm}$ $D1 \geq 0.7\text{mm}$
- Wire coiling of fine coil and thin coil of various automatic winding machines.
- Work limit: $d1 \geq 0.2\text{mm}$ $D1 \geq 0.7\text{mm}$



Shoulder Type Outlet Port
 Increase the use of strength, to extend the service life, suitable for large-angle winding line.

Specifications

序號 No.	型號 Model	L	L1	D	D1	d1	d2	H
1	YB0326-2-1006	26	6	2	1	0.3	0.6	***
2	YB0330-0-0807	30	7	2	0.8	0.3	0.4	***
3	YB0330-2-0810	30	10	2	0.8	0.3	0.4	***
4	YB0530-2-1008	30	8	2	1	0.5	0.5	***
5	YB0535-2.5-1411	35	11	2.5	1.4	0.5	0.8	***
6	YB0635-2-1610	35	10	2	1.5	0.5	0.8	***
7	YB0535-2.5-1210	35	10	2.5	1.2	0.5	0.8	***
8	YB0530-2-1208	30	8	2	1.2	0.5	0.8	***
9	YB0830-2	30	-	2	2	0.8	0.8	***
10	YB0330-3-1007	30	7	3	1	0.3	0.6	***
11	YB0330-3-0807	30	7	3	0.8	0.3	0.6	***
12	YB0430-3-1210	30	10	3	1.2	0.4	0.6	***
13	YB0530-3-1311	30	11	3	1.3	0.5	0.8	***
14	YB0323-3-1007P	23	7	3	1	0.3	0.8	16
15	YB0514-3-1509P	14	9	3	1.5	0.5	0.6	5
16	YB0311-3-1006P	11	6	3	1	0.3	0.6	5
17	YB0530-3-1455	30	5.5	3	1.4	0.5	0.6	**
18	YB0330-3-1535P	30	3.5	3	1.5	0.3	0.5	13
19	YB0330-3-1012	30	12	3	1	0.3	0.6	**
20	YB0821-3-2015P	21	15	3	2	0.8	1	6
21	YB0615-3-1505	15	5	3	1.5	0.6	0.6	**
22	YB0530-3-2014	30	14	3	2	0.5	0.5	**
23	YB0426-3-1208	26	8	3	1.2	0.4	0.6	**
24	YB0414-3-1309	14	9	3	1.3	0.4	0.6	**
25	YB0334-3-1035P	34	3.5	3	1	0.3	0.6	8
26	YB1030-3-2514	30	14	3	2.5	1	1.2	**
27	YB0522-3-1608P	22	8	3	1.6	0.5	0.8	14
28	YB1030-3-20145	30	14.5	3	2	1	1.2	**
29	YB08115-3-2006P	11.5	6	3	2	0.8	1.1	5
30	YB15115-3P	11.5	**	3	**	1.5	2	5.5
31	YB08145-3-2085P	14.5	8.5	3	2	0.8	0.8	6
32	YB10105-3	10.5	**	3	**	1	1	**
33	YB1014-3	14	**	3	**	1	1	**
34	YB0825-3-2520	25	20	3	2.5	0.8	1	**
35	YB0829-3-2015	29	15	3	2	0.8	1.2	**
36	YB0630-3-1465	30	6.5	3	1.4	0.6	0.8	**
37	YB0545-3-1315	45	15	3	1.3	0.5	0.6	**
38	YB0630-3-1406	30	6	3	1.4	1.2	0.6	**
39	YB0340-4-1006	40	6	4	1	0.3	0.6	**
40	YB1043-4-2514P	43	14	4	2.5	1	1.2	20
41	YB08285-4-2015	28.5	15	4	2	0.8	1.2	**

Products of other specification and technical requirement can be tailored according to the drawing provided by clients.