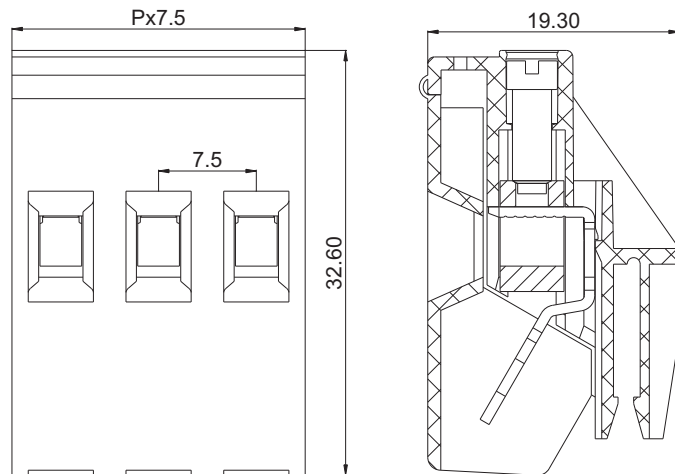




PSCB4



Electrical

Rated voltage

300V

Rated current

20A

Wire range

20-12 AWG

Withstanding voltage

AC2500V/1Min

Mechanical

Torque

0.5Nm (4.4Lb. in)

Temperature range

-40°C—+105°C

Strip length

8.0-10.0mm

Dimension

Pitch

7.5mm

Poles

1P、2P、3P

MATERIAL

Housing

PA66 UL94V-0

Terminal

Brass Tin plated

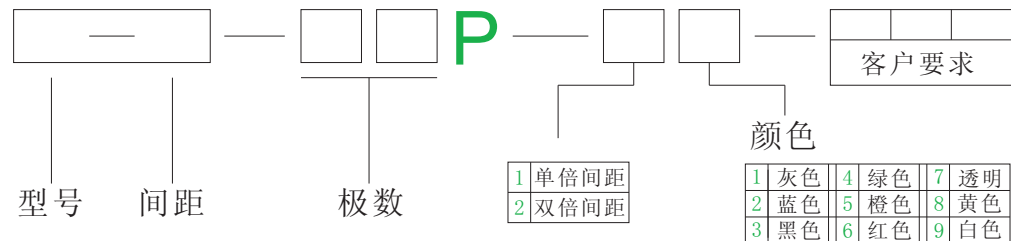
Screw

M3 Steel Zinc plated

Wire cage

Brass Ni plated

订购方式:



mm
(INCH)



THIROANGIF PROJECTION

NAME

PSCB4