



Prodin Ferrite S.L.

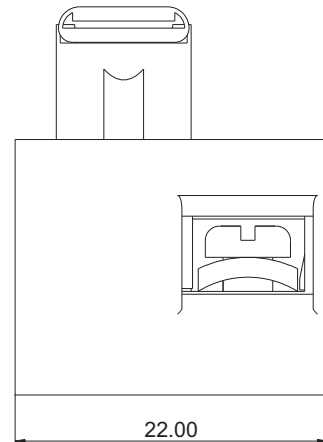
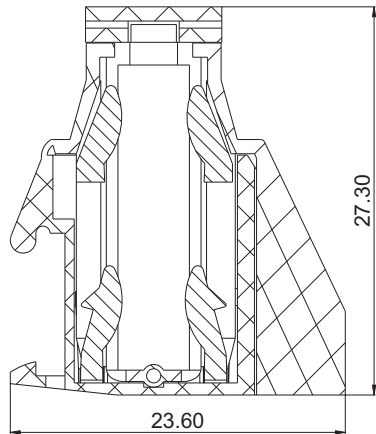
CalleA, 27, 08620 Sant Vicenç dels Horts, Barcelona (Spain)

Tel.: +34 93 672 46 10

info@prodinferrite.com www.prodinferrite.com



PSC2.5



Electrical

Rated voltage

250V

Rated current

6.3A

Wire range

20-14 AWG

Withstanding voltage

AC2000V/1Min

Mechanical

Torque

0.8Nm (7.0Lb. in)

Temperature range

-40°C +105°C

Strip length

8.0-10.0mm

Dimention

Pitch

22.0mm

Poles

1P

MATERIAL

Housing

PA66 UL94V-0

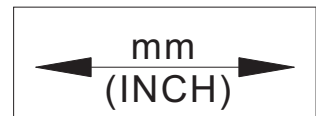
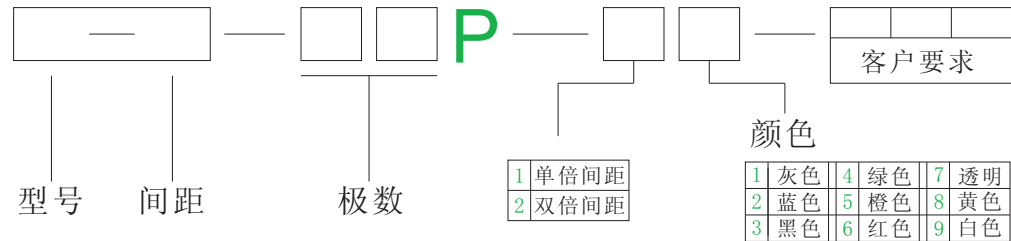
Terminal

Brass Tin plated

Screw

M3.5 Steel Zinc plated

订购方式:



NAME PSC2.5