



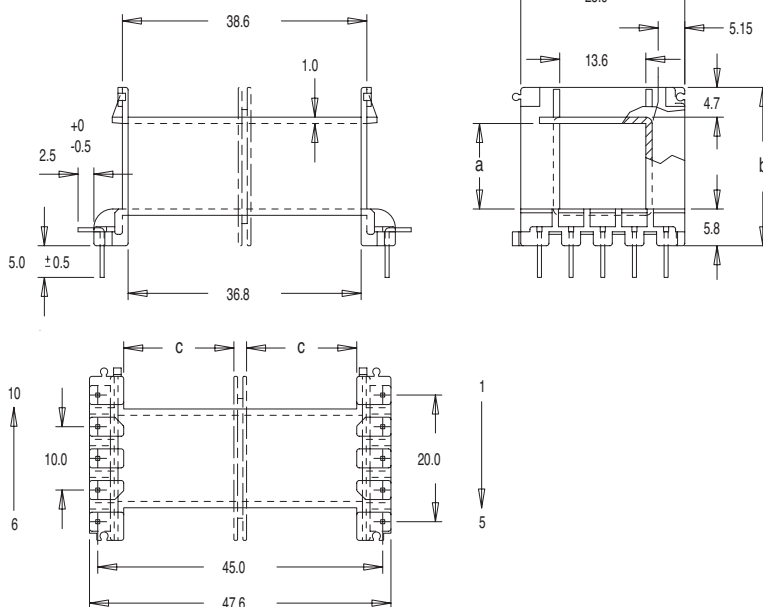
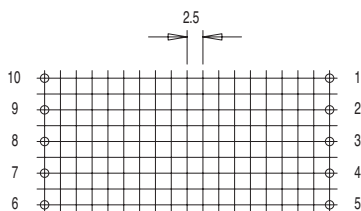
**MILES · PLATTS**

# U Range

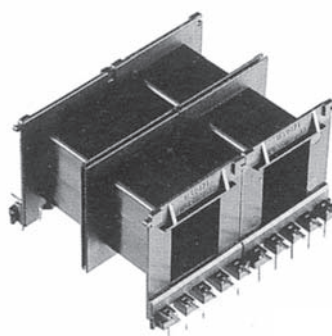
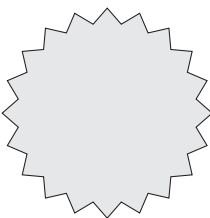
## Coil Bobbins for Encapsulation (Metric Lamination)

UI39, Single Section (SS) & Shrouded Double Section (SDS)  
Wire Pin (PCB Mount)

### UI 39 SERIES

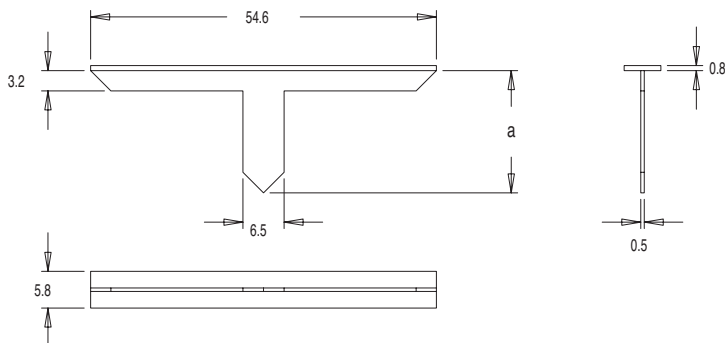


Bobbin size	Type	a	b	c	No. of pins available	Pin size	Part No.
UI 39 x 8	SDS	8.1	19.6	17.4	10 (2 x 5)	0.635 Sq.	U39081
UI 39 x 8	SS	8.1	19.6		10 (2 x 5)	0.635 Sq.	U39086
UI 39 x 10.2	SDS	10.2	21.7	17.4	10 (2 x 5)	0.635 Sq.	U39101
UI 39 x 10.2	SS	10.2	21.7		10 (2 x 5)	0.635 Sq.	U39106
UI 39 x 13.5	SDS	13.5	25.0	17.4	10 (2 x 5)	0.635 Sq.	U39131
UI 39 x 13.5	SS	13.5	25.0		10 (2 x 5)	0.635 Sq.	U39136
UI 39 x 17	SDS	17.0	28.5	17.4	10 (2 x 5)	0.635 Sq.	U39171
UI 39 x 17	SS	17.0	28.5		10 (2 x 5)	0.635 Sq.	U39176
UI 39 x 21	SDS	21.0	32.5	17.4	10 (2 x 5)	0.635 Sq.	U39211
UI 39 x 21	SS	21.0	32.5		10 (2 x 5)	0.635 Sq.	U39216



Standard materials: Nylon 66 glass reinforced / Nylon 66 glass reinforced to UL94V0  
Pin material: Phosphor Bronze Dimensions in millimetres

### UI 39 T-PIECE



Bobbin size	a	Part No.
UI 39 x 8	19.3	U39088
UI 39 x 10.2	21.4	U39108
UI 39 x 13.5	24.7	U39138
UI 39 x 17	28.2	U39178
UI 39 x 21	32.2	U39218

Standard materials: Nylon 66 / Nylon 66 to UL94V0 Dimensions in millimetres



**Prodin Ferrite S.L.**

Calle A, 27, 08620 Sant Vicenç dels Horts, Barcelona (Spain)

Tel.: +34 93 672 46 10

[info@prodinferrite.com](mailto:info@prodinferrite.com) [www.prodinferrite.com](http://www.prodinferrite.com)



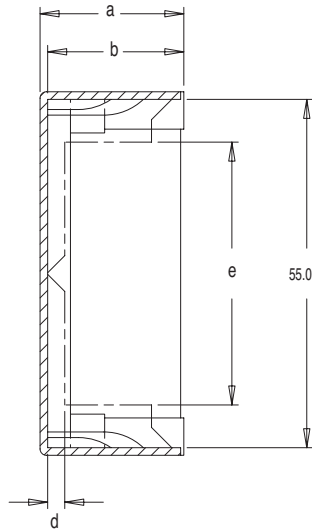
MILES · PLATTS

# U Range

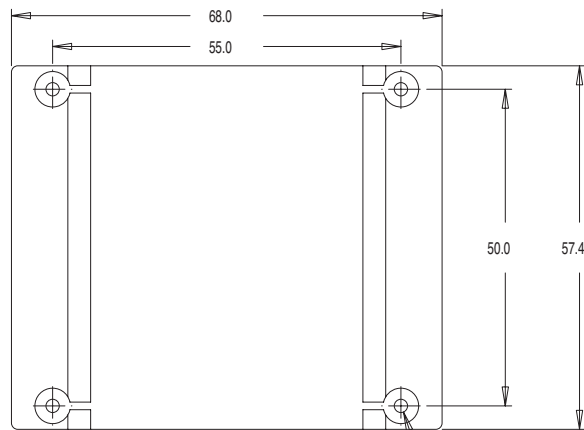
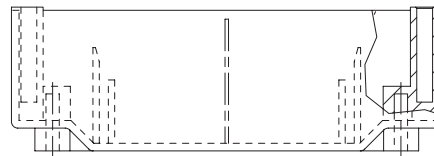
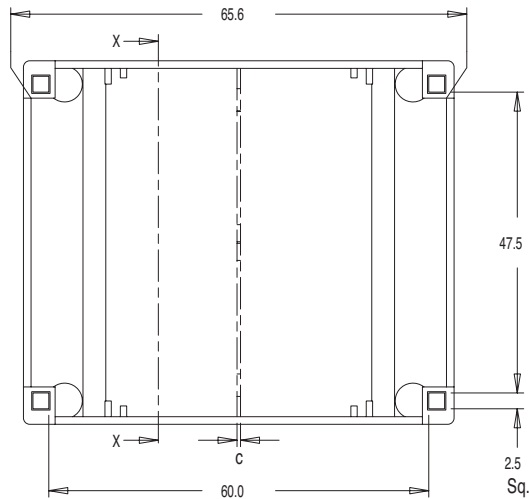
## Coil Bobbins for Encapsulation (Metric Lamination)

UI39 Boxes

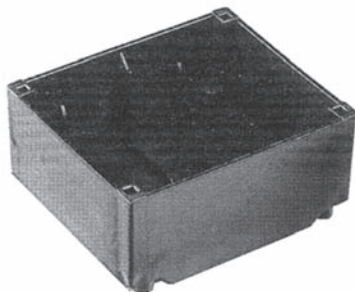
### UI 39 BOXES



Section X-X



Ø2.1



Bobbin size	Description	a	b	c	d	e	Part No.
UI 39 x 8	Box	22.7	21.5				U39087
UI 39 x 8	Box with rib	22.7	21.5	0.55	3.2	45.5	U39089
UI 39 x 10.2	Box	24.8	23.6				U39107
UI 39 x 10.2	Box with rib	24.8	23.6	0.55	3.2	45.5	U39109
UI 39 x 13.5	Box	28.1	26.9				U39137
UI 39 x 13.5	Box with rib	28.1	26.9	0.55	3.2	45.5	U39139
UI 39 x 17.0	Box	31.6	30.4				U39177
UI 39 x 17.0	Box with rib	31.6	30.4	0.55	3.2	45.5	U39179
UI 39 x 21.0	Box	35.6	34.4				U39217
UI 39 x 21.0	Box with rib	35.6	34.4	0.55	3.2	45.5	U39219

Standard materials: Nylon 66 to UL94V2 / Nylon 66 to UL94V0 Dimensions in millimetres  
Please refer to technical sales for colour options.



**Prodin Ferrite S.L.**

Calle A, 27, 08620 Sant Vicenç dels Horts, Barcelona (Spain)

Tel.: +34 93 672 46 10

[info@prodinferrite.com](mailto:info@prodinferrite.com) [www.prodinferrite.com](http://www.prodinferrite.com)

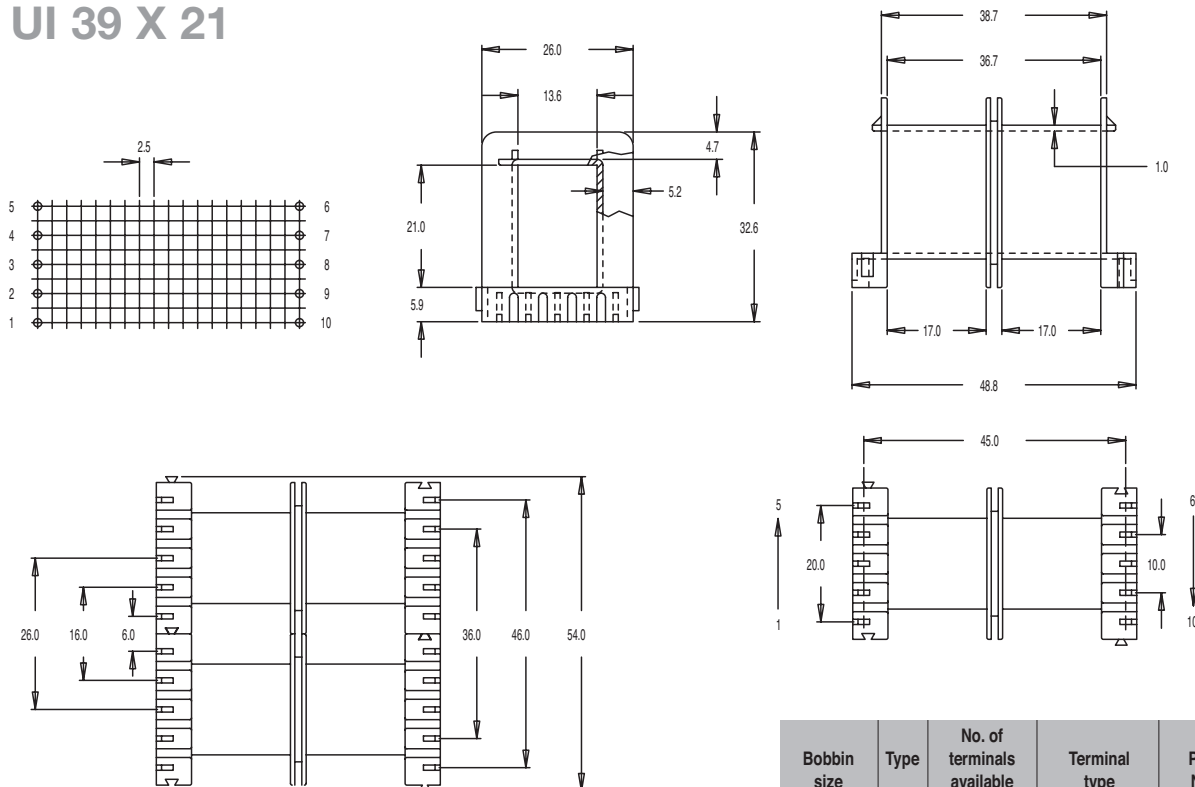


**MILES · PLATTS**

# U Range Coil Bobbins for Encapsulation (Metric Lamination)

UI39, SDouble Section (SDS)  
TBS600 Terminals Option

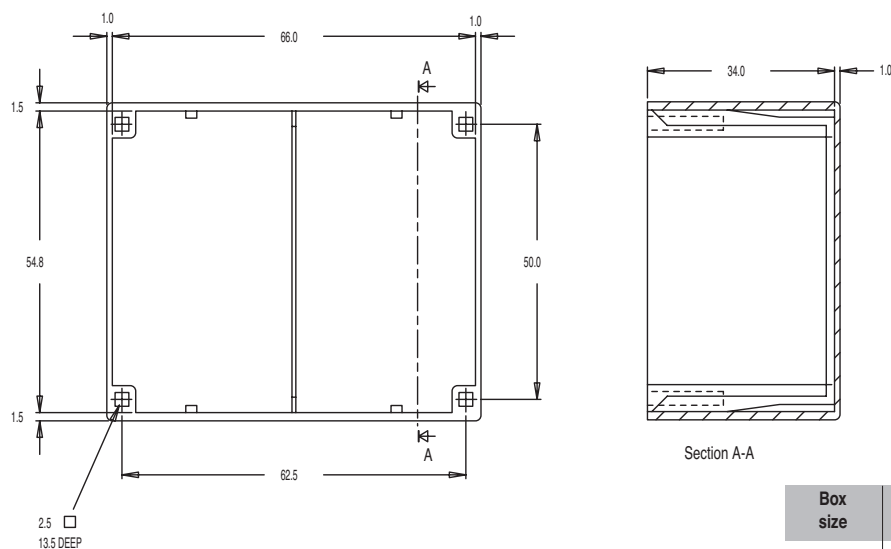
## UI 39 X 21



Bobbin size	Type	No. of terminals available	Terminal type	Part No.
UI 39 x 21	DS	10 (2 x 5)	TBS 600 Series	UI2500

Standard materials: Nylon 66 glass reinforced to UL94V0  
Dimensions in millimetres

## UI 39 X 21 BOX



Box size	Part No.
UI 39 x 21	UI2510

Standard materials: Nylon 66 glass reinforced to UL94V0  
Dimensions in millimetres



**Prodin Ferrite S.L.**

Calle A, 27, 08620 Sant Vicenç dels Horts, Barcelona (Spain)

Tel.: +34 93 672 46 10

[info@prodinferrite.com](mailto:info@prodinferrite.com) [www.prodinferrite.com](http://www.prodinferrite.com)