

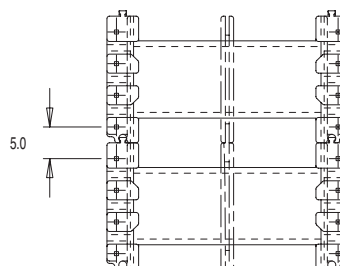
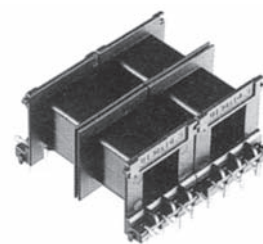
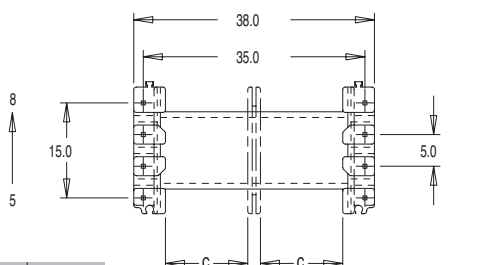
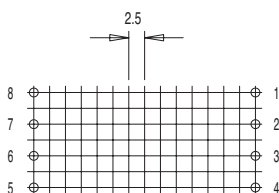
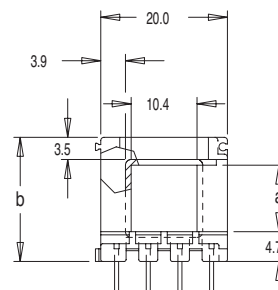
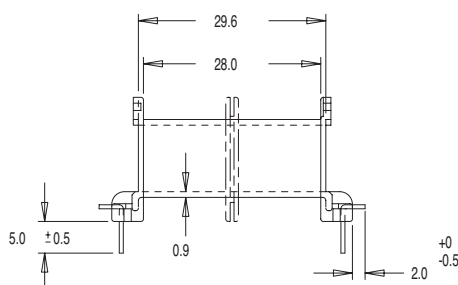
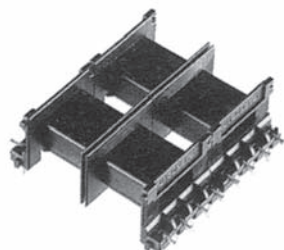


**MILES · PLATTS**

# U Range Coil Bobbins for Encapsulation (Metric Lamination)

UI30, Single Section (SS) & Shrouded Double Section (SDS)  
Wire Pin (PCB Mount)

## UI 30 SERIES

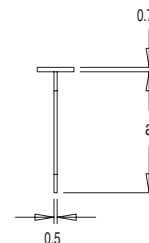
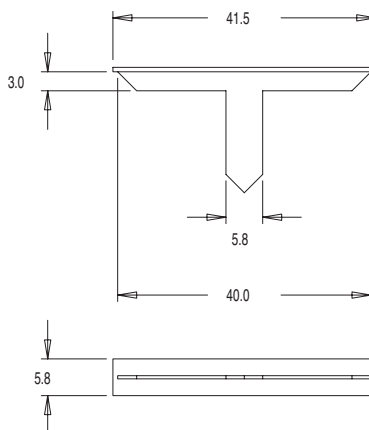


Showing bobbins assembled.

Bobbin size	Type	a	b	c	No. of pins available	Pin size	Part No.
UI 30 x 5.5	SDS	5.5	14.6	13.0	8 (2 x 4)	0.635 Sq.	U30051
UI 30 x 5.5	SS	5.5	14.6		8 (2 x 4)	0.635 Sq.	U30056
UI 30 x 7.5	SDS	7.5	16.6	13.0	8 (2 x 4)	0.635 Sq.	U30071
UI 30 x 7.5	SS	7.5	16.6		8 (2 x 4)	0.635 Sq.	U30076
UI 30 x 10.5	SDS	10.5	19.6	13.0	8 (2 x 4)	0.635 Sq.	U30101
UI 30 x 10.5	SS	10.5	19.6		8 (2 x 4)	0.635 Sq.	U30106
UI 30 x 16.5	SDS	16.5	25.6	13.0	8 (2 x 4)	0.635 Sq.	U30161
UI 30 x 16.5	SS	16.5	25.6		8 (2 x 4)	0.635 Sq.	U30166

Standard materials: Nylon 66 to UL94HB / Nylon 66 to UL94V0  
Pin material: Phosphor Bronze Dimensions in millimetres

## UI 30 T-PIECE



Bobbin size	a	Part No.
UI 30 x 5.5	14.1	U30058
UI 30 x 7.5	16.1	U30078
UI 30 x 10.5	19.1	U30108
UI 30 x 16.5	25.1	U30168

Standard materials: Nylon 66 to UL94HB / Nylon 66 to UL94V0 Dimensions in millimetres



**Prodin Ferrite S.L.**

Calle A, 27, 08620 Sant Vicenç dels Horts, Barcelona (Spain)

Tel.: +34 93 672 46 10

[info@prodinferrite.com](mailto:info@prodinferrite.com) [www.prodinferrite.com](http://www.prodinferrite.com)



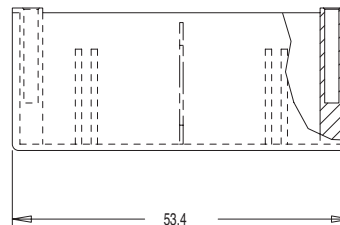
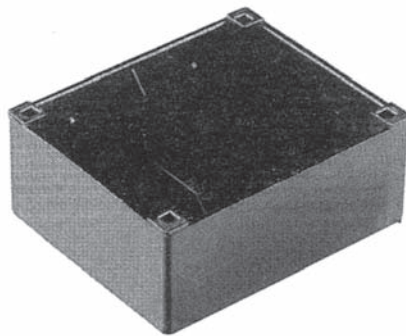
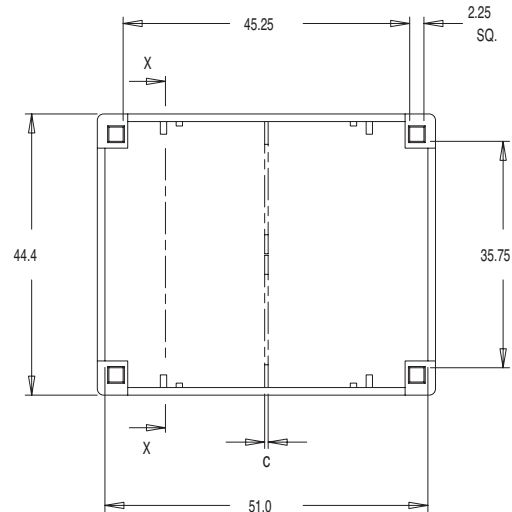
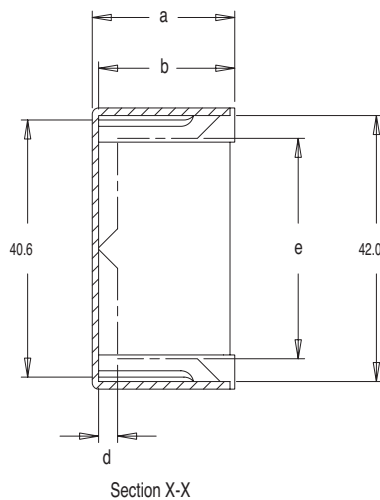
**MILES · PLATTS**

## U Range

### Coil Bobbins for Encapsulation (Metric Lamination)

UI30 Boxes

## UI 30 BOXES



Bobbin size	Description	a	b	c	d	e	Part No.
UI 30 x 5.5	Box	17.5	16.5				U30057
UI 30 x 5.5	Box with rib	17.5	16.5	0.55	3.0	34.8	U30059
UI 30 x 7.5	Box	19.5	18.5				U30077
UI 30 x 7.5	Box with rib	19.5	18.5	0.55	3.0	34.8	U30079
UI 30 x 10.5	Box	22.5	21.5				U30107
UI 30 x 10.5	Box with rib	22.5	21.5	0.55	3.0	34.8	U30109
UI 30 x 16.5	Box	28.5	27.5				U30167
UI 30 x 16.5	Box with rib	28.5	27.5	0.55	3.0	34.8	U30169

Standard materials: Nylon 66 to UL94V2 (Black) / Nylon 66/6 to UL94V0 (Grey).  
Dimensions in millimetres.



**Prodin Ferrite S.L.**

Calle A, 27, 08620 Sant Vicenç dels Horts, Barcelona (Spain)

Tel.: +34 93 672 46 10

[info@prodin ferrite.com](mailto:info@prodin ferrite.com) [www.prodin ferrite.com](http://www.prodin ferrite.com)