

SERIE ST07

Prodin Ferrite S.L.

Cañ A, 27, 08620 Sant Vicenç dels Horts, Barcelona (Spain)

Tel.: +34 93 672 46 10

info@prodinferrite.com www.prodinferrite.com

NUMBERING SYSTEM

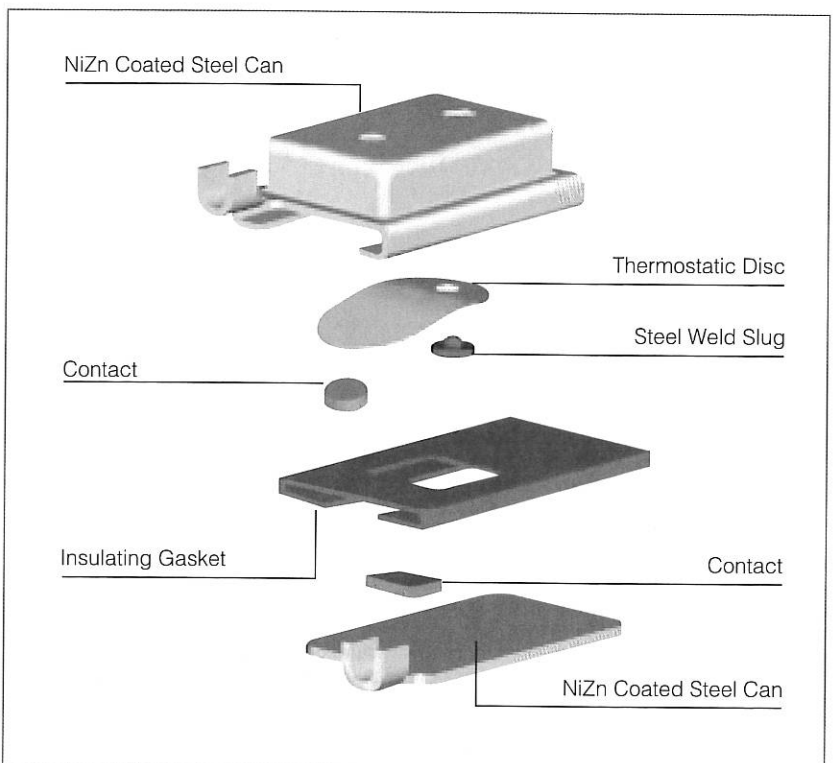
ST07 XXX X X - X

Opng. Temp. °C	Standard Opening Temperature	
	Low Resistance Bimetal Disc	High Resistance Bimetal Disc
	Code	
50	017	197
55	018	198
60	019	199
65	020	-
70	021	201
75	022	202
80	023	203
85	024	204
90	025	205
95	026	206
100	027	207
105	028	208
110	029	209
115	030	210
120	031	211
125	032	212
130	033	213
135	034	214
140	035	215
145	036	216
150	037	217
155	038	218
160	039	219
165	040	-
170	041	-
175	042	-
180	043	-

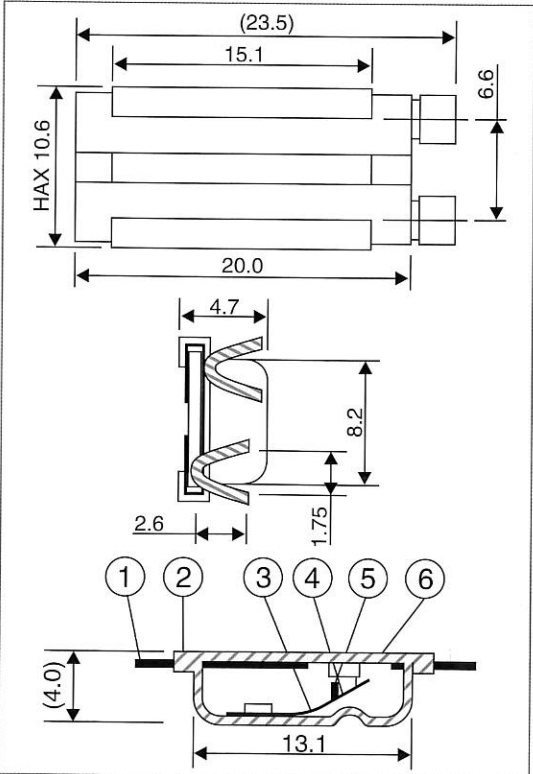
Terminal Configuration	
Code	Terminals
A	Same end
B	Opposite end

Temperature Tolerance	
Code	Tolerance
5	±5°C

Physical Characteristics	
Code	L(mm)
4	66.7



A-TYPE CONSTRUCTION



A-TYPE CONFIGURATION

