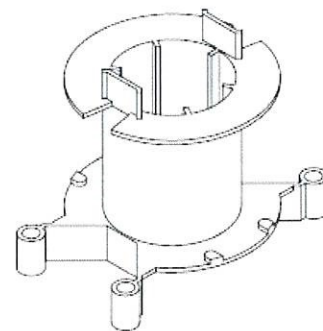
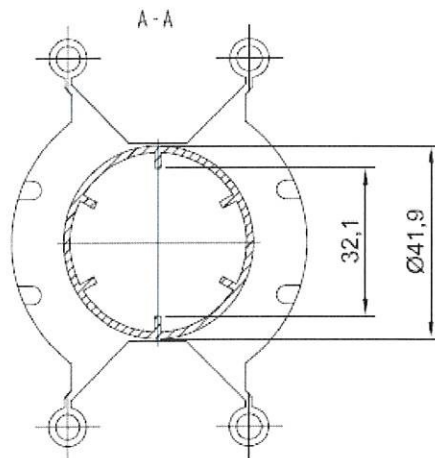
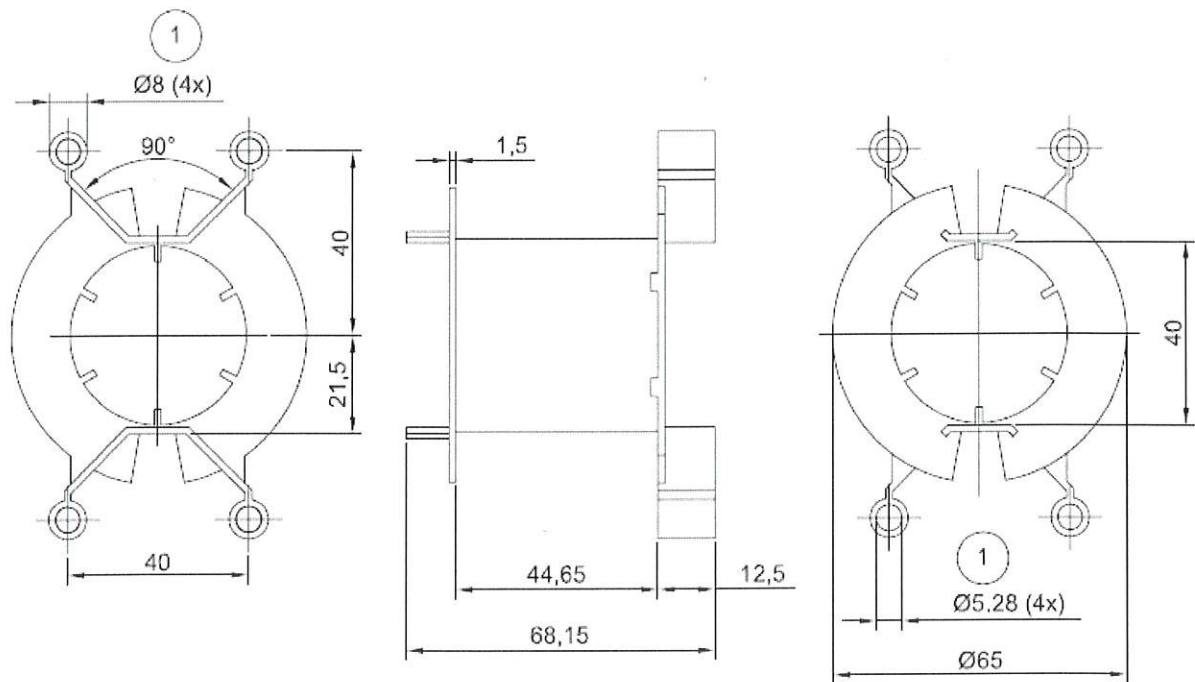


PM8770v 0p 1s



NOTE:

- (1) All dimensions are in mm.
- (2) Weight[g]:
- (3) Tolerance for all dimension is (± 0.2 mm)
- (4) Molding material:
 - (a) Rynite FR 530L BK (UL no.: E41938)



Prodin Ferrite S.L.

CalleA, 27, 08620 Sant Vicenç dels Horts, Barcelona (Spain)

Tel.: +34 93 672 46 10

info@prodinferrite.com www.prodinferrite.com