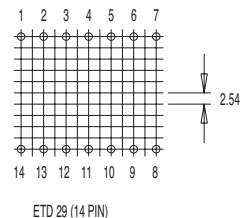
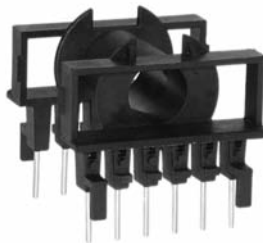
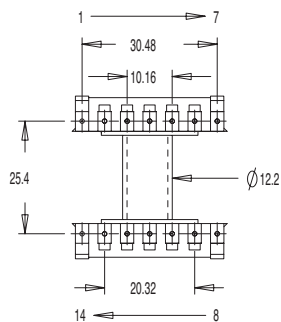
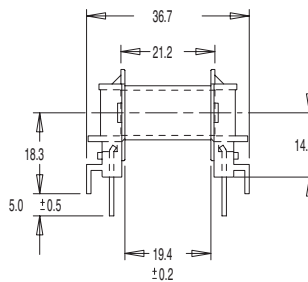
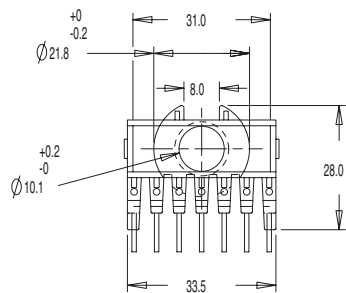




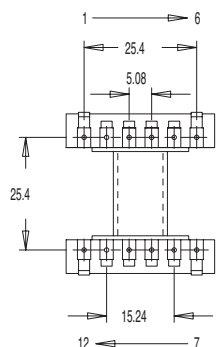
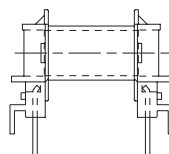
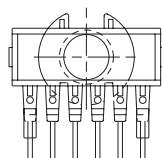
ETD Ferrite Core Coil Bobbins

MILES · PLATTS

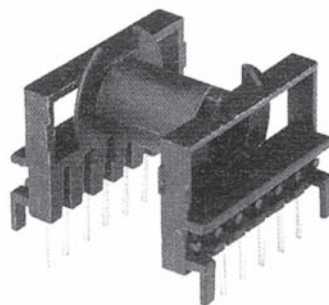
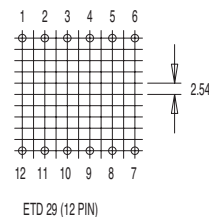
ETD 29 HORIZONTAL



FD6980FR3BLK0001



Other dimensions as above



Bobbin size	No. of pins	Pin size	Part No.
ETD 29/16/10	12 (2 x 6)	Ø1.0 or 0.8 sq.	FD6980
ETD 29/16/10	14 (2 x 7)	Ø1.0 or 0.8 sq.	FD6990

Standard materials: Polyester (PET) to UL94V0 Pin material: Phosphor Bronze Dimensions in millimetres



Prodin Ferrite S.L.

Calle A, 27, 08620 Sant Vicenç dels Horts, Barcelona (Spain)

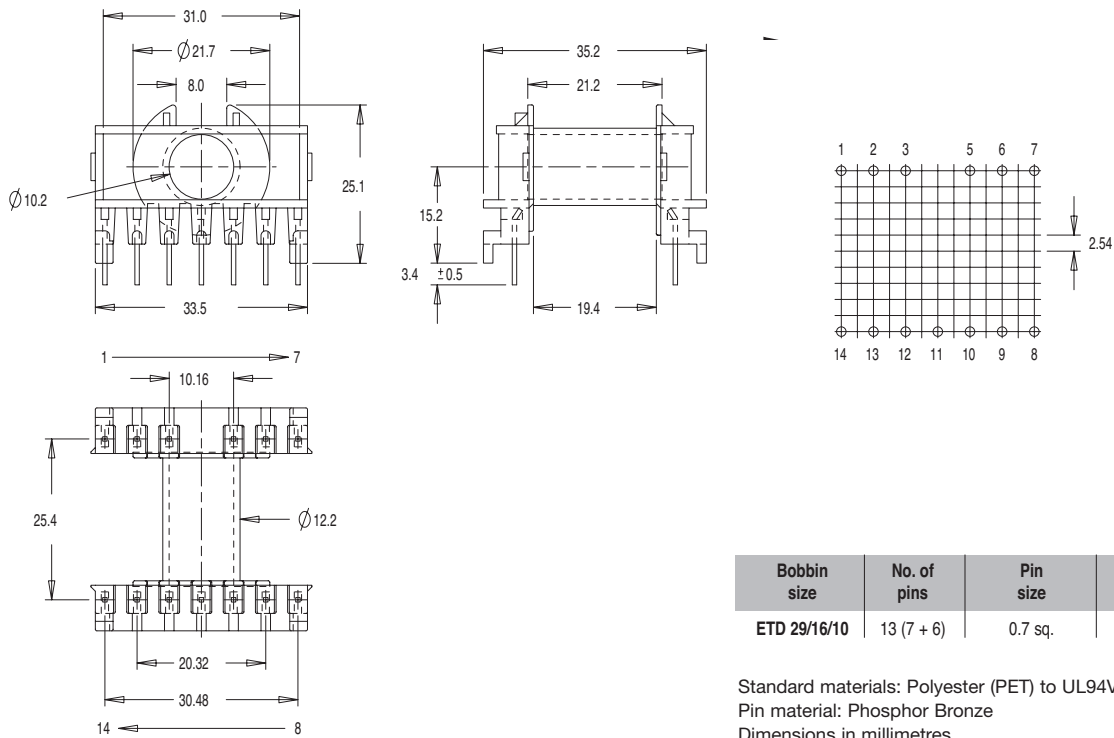
Tel.: +34 93 672 46 10

info@prodinferrite.com www.prodinferrite.com



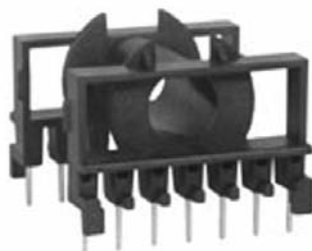
ETD Ferrite Core Coil Bobbins

ETD 29 HORIZONTAL (LOW PROFILE)



Bobbin size	No. of pins	Pin size	Part No.
ETD 29/16/10	13 (7 + 6)	0.7 sq.	FD6970

Standard materials: Polyester (PET) to UL94V0
Pin material: Phosphor Bronze
Dimensions in millimetres



FD6970



Prodin Ferrite S.L.

Calle A, 27, 08620 Sant Vicenç dels Horts, Barcelona (Spain)

Tel.: +34 93 672 46 10

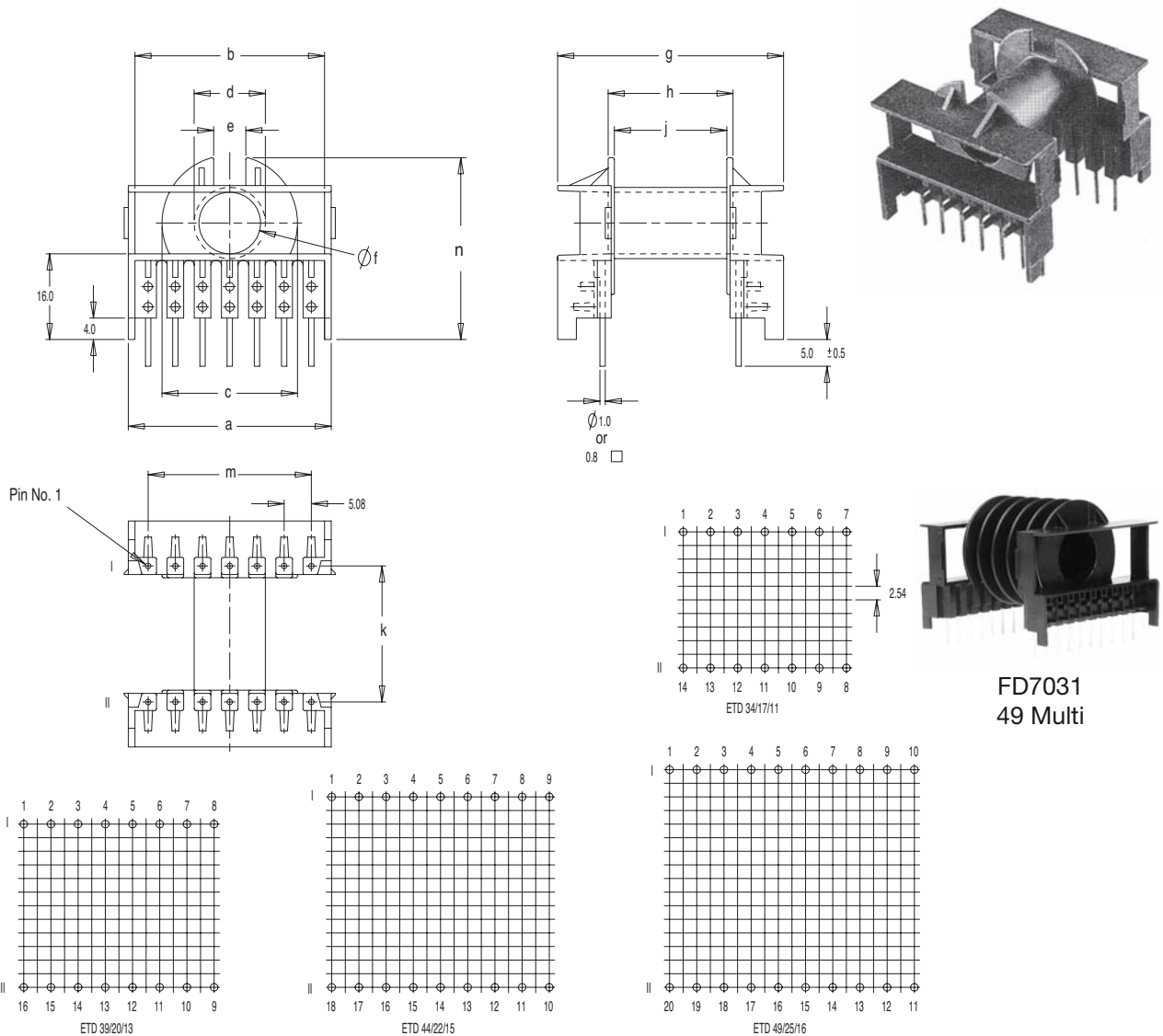
info@prodinferrite.com www.prodinferrite.com



ETD Ferrite Core Coil Bobbins

MILES · PLATTS

ETD HORIZONTAL



FD7031
49 Multi

Bobbin size	No. of pins available	Pin size	a	b	c	d	e	f	g	h	j	k	m	n	Part No.
ETD 34/17/11	14 (2 x 7)	Ø1.0mm or 0.8 Sq.	37.9	35.4	25.3	13.3	6.0	11.5	42.2	23.3	21.0	25.4	30.48	34.0	FD7000
ETD 39/20/13	16 (2 x 8)	Ø1.0mm or 0.8 Sq.	42.9	40.3	29.0	15.0	7.5	13.1	47.6	28.1	25.8	30.48	35.56	36.6	FD7010
ETD 44/22/15	18 (2 x 9)	Ø1.0mm or 0.8 Sq.	48.0	45.4	32.2	17.4	9.0	15.6	52.3	31.9	29.6	35.56	40.64	39.3	FD7020
ETD 49/25/16	20 (2 x 10)	Ø1.0mm or 0.8 Sq.	52.9	50.2	35.8	18.9	10.0	17.1	57.0	35.1	32.8	40.64	45.72	41.7	FD7030
ETD 49/25/16	20 (2 x 10)	5 chamber version of FD7030	52.9	50.2	35.8	18.9	10.0	17.1	57.0	35.1	32.8	40.64	45.72	41.7	FD7031*
ETD 54/27/18	24 (2 x 12)	Ø1.0mm or 0.8 Sq.	61.0	56.3	39.5	22.0	12.0	19.8	61.0	39.3	36.8	45.7	55.88	42.0	FD7040
ETD 59/31/21	24 (2 x 12)	Ø1.0mm or 0.8 Sq.	66.5	61.7	42.9	24.8	11.0	22.5	66.0	43.7	41.2	50.8	60.96	48.1	FD7050

*5 equal chambers at 5.6mm.
Standard materials: Polyester (PET) to UL94V0 Pin material: Phosphor Bronze Dimensions in millimetres



Prodin Ferrite S.L.

Calle A, 27, 08620 Sant Vicenç dels Horts, Barcelona (Spain)

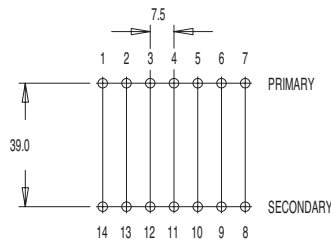
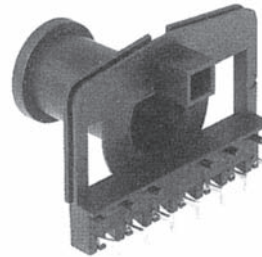
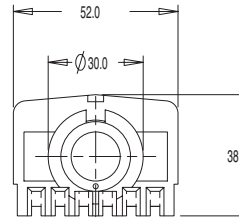
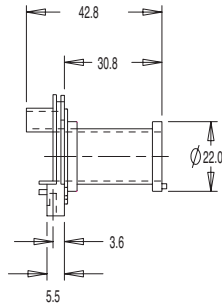
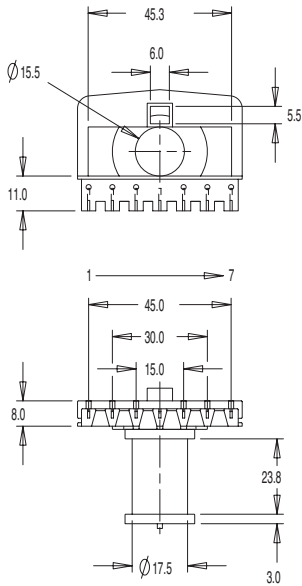
Tel.: +34 93 672 46 10

info@prodinferrite.com www.prodinferrite.com



ETD Ferrite Core Coil Bobbins

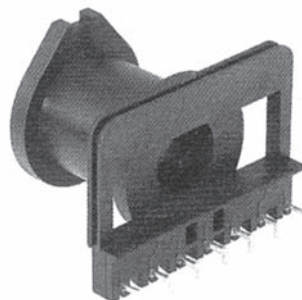
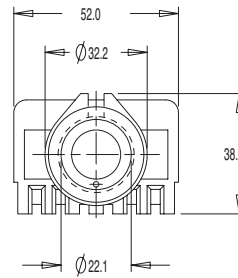
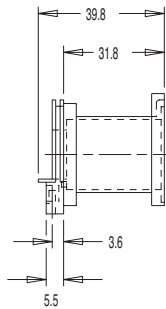
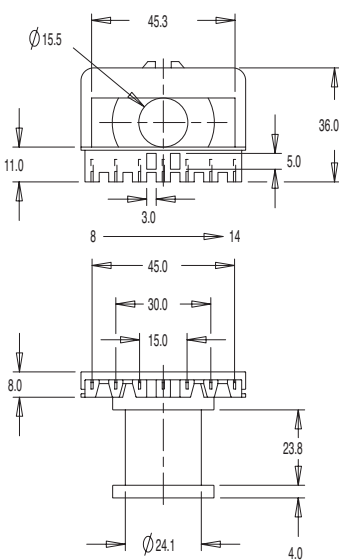
ETD 44 PRIMARY



Bobbin size	No. of terminals	Terminal type	Part No.
ETD 44 Primary	7 (1 x 7)	TBS 600 Series	FD7025

Standard materials: Nylon 66 glass reinforced to UL94V0
Dimensions in millimetres

ETD 44 SECONDARY



Bobbin size	No. of terminals	Terminal type	Part No.
ETD 44 Secondary	7 (1 x 7)	TBS 600 Series	FD7026

Standard materials: Nylon 66 glass reinforced to UL94V0
Dimensions in millimetres