



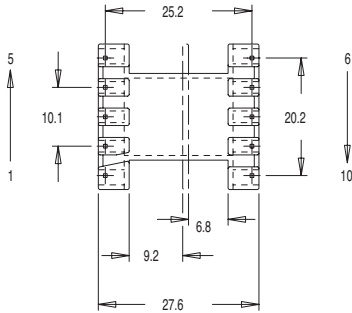
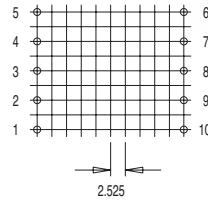
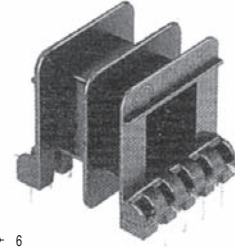
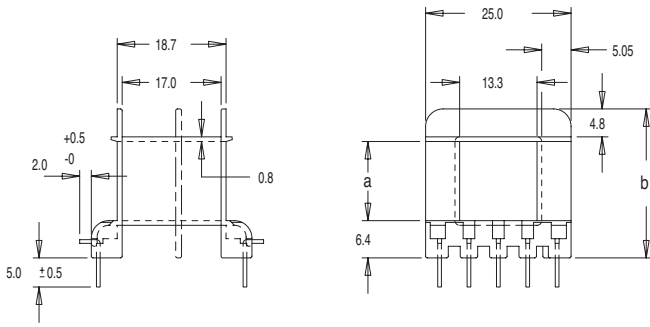
MILES · PLATTS

N Range Coil Bobbins for Encapsulation (Metric Lamination)

EI38 & EI42

Single Section (SS) & Double Section (DS) - Wire Pin (PCB Mount)

EI 38 LOW PROFILE



Bobbin size	Type	a	b	No. of pins available	Pin size	Part No.
EI 38 x 7.5	SS	7.5	19.5	10 (2 x 5)	0.635 Sq.	N38071
EI 38 x 7.5	DS	7.5	19.5	10 (2 x 5)	0.635 Sq.	N38072
EI 38 x 13.6	SS	13.6	25.6	10 (2 x 5)	0.635 Sq.	N38131
EI 38 x 13.6	DS	13.6	25.6	10 (2 x 5)	0.635 Sq.	N38132

Standard materials: Nylon 66 glass reinforced / Nylon 66 glass reinforced to UL94V0
Pin material: Phosphor Bronze Dimensions in millimetres



Prodin Ferrite S.L.

CalleA, 27, 08620 Sant Vicenç dels Horts, Barcelona (Spain)

Tel.: +34 93 672 46 10

info@prodinferrite.com www.prodinferrite.com



MILES · PLATTS

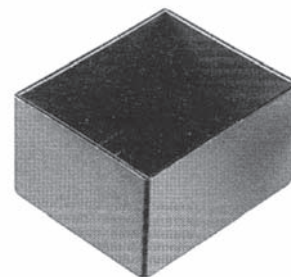
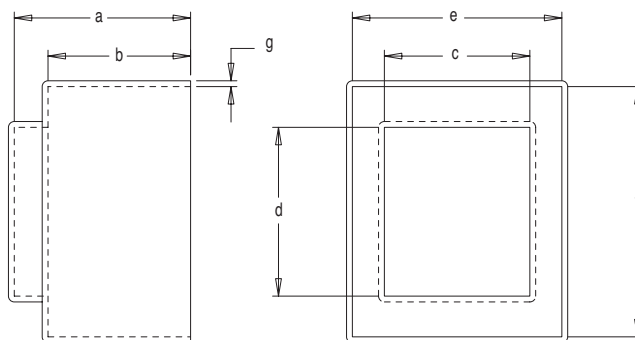
N Range

Coil Bobbins for Encapsulation (Metric Lamination)

Boxes & Base Fixtures

EI 30/38/42/48/54 BOXES

Bobbin size	a	b	c	d	e	f	g	Part No.
EI 30 x 5.0	14.5	10.9	18.6	22.0	25.7	30.7	0.8	N30059
EI 30 x 10.5	20.5	16.9	18.6	22.0	25.7	30.7	0.8	N30109
EI 30 x 12.5	22.5	18.9	18.6	22.0	25.7	30.7	0.8	N30129
EI 30 x 15.5	25.5	21.9	18.6	22.0	25.7	30.7	0.8	N30159
EI 30 x 18.0	28.0	24.4	18.6	22.0	25.7	30.7	0.8	N30189
EI 38 x 7.5	20.1	14.6	22.5	27.0	32.8	39.2	1.0	N38079
EI 38 x 13.6	26.2	20.9	22.5	27.0	32.8	39.2	1.0	N38139
EI 42 x 8.5	24.2	18.2	25.0	29.0	36.0	43.0	1.0	N42089
EI 42 x 14.8	30.5	24.5	25.0	29.0	36.0	43.0	1.0	N42149
EI 48 x 16.8	33.4	26.4	29.3	33.3	40.9	48.9	1.0	N48169
EI 48 x 20.5	37.1	30.1	29.3	33.3	40.9	48.9	1.0	N48209
EI 54 x 18.8	38.0	31.0	30.7	35.8	45.5	54.5	0.8	N54189



Standard materials: Nylon 66 to UL94V2 (Black) / Nylon 66/6 to UL94V0 (Grey).
Dimensions in millimetres.

Section 5



Prodin Ferrite S.L.

CalleA, 27, 08620 Sant Vicenç dels Horts, Barcelona (Spain)

Tel.: +34 93 672 46 10

info@prodinferrite.com www.prodinferrite.com