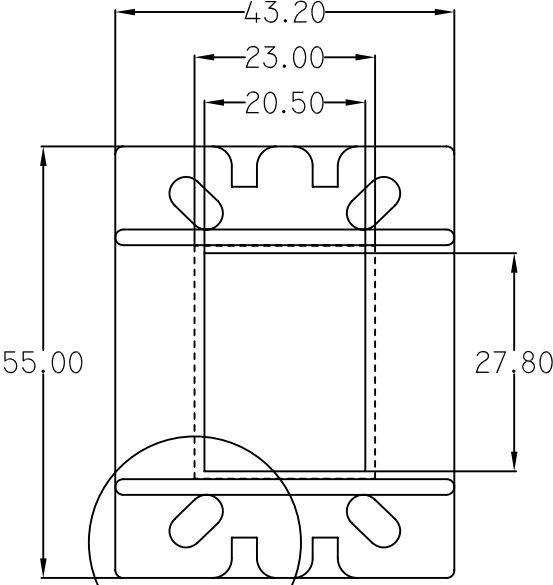
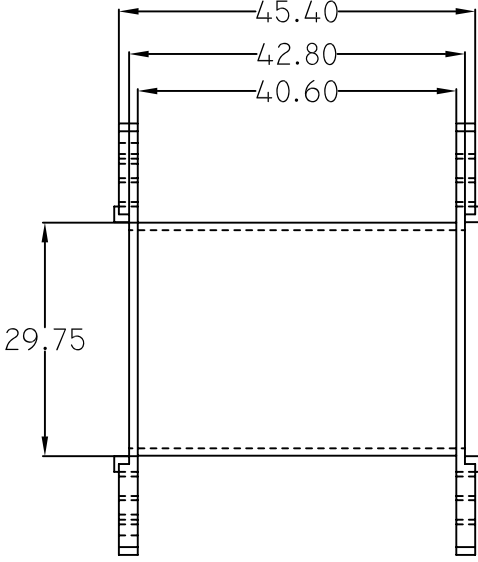
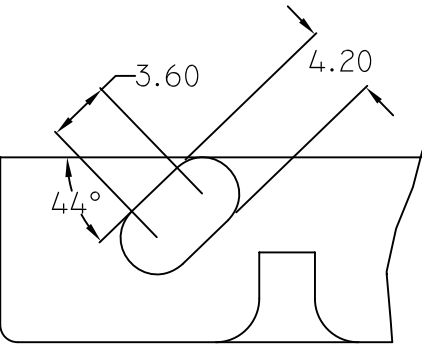
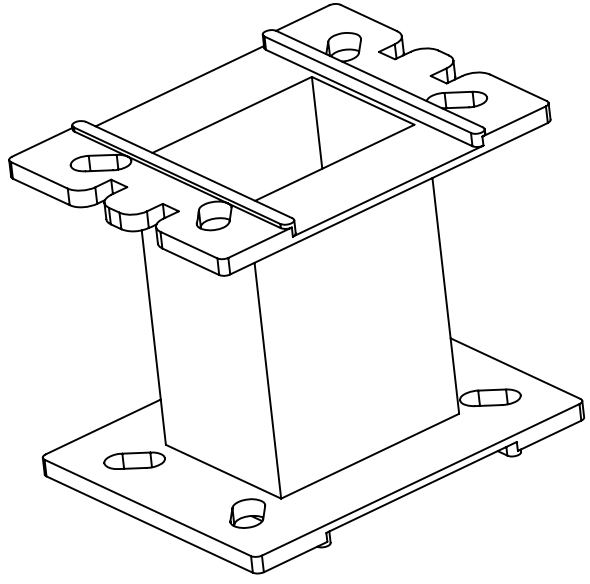


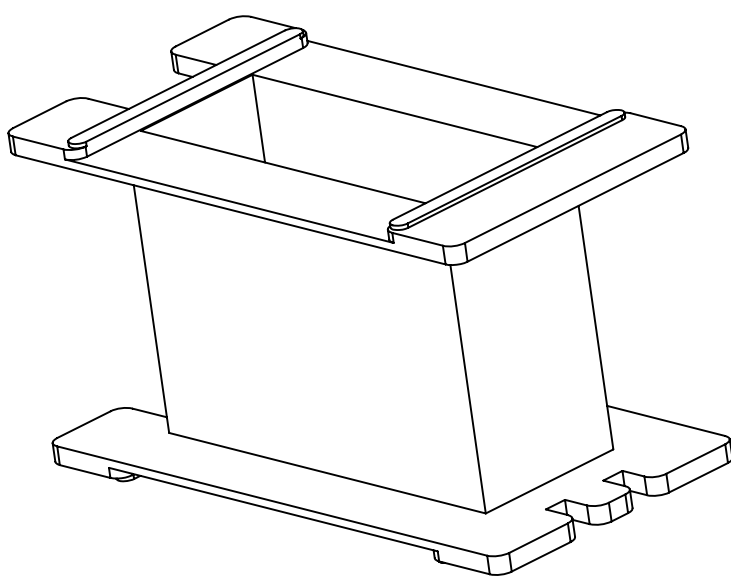
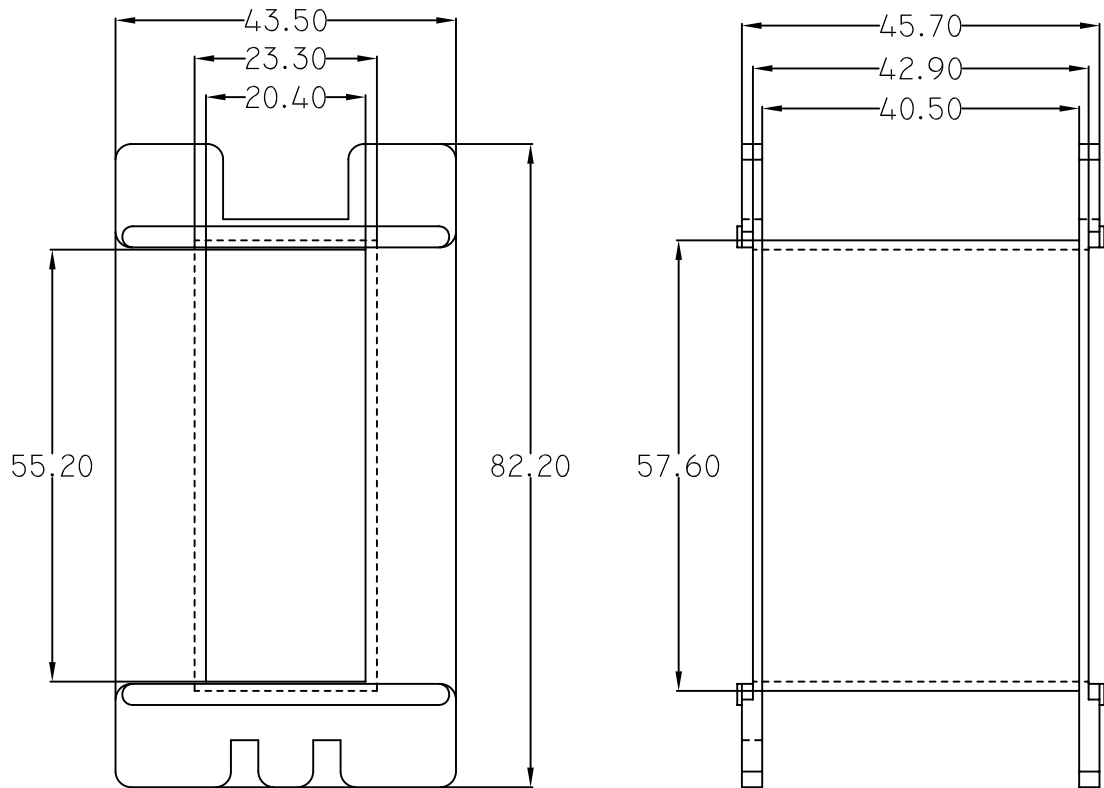


	A	B	C	D										
	<table border="1" style="width:100%; border-collapse: collapse;"> <thead> <tr> <th colspan="5">REVISIONS</th> </tr> <tr> <th style="width:10%;">ZONE</th> <th style="width:10%;">REV.</th> <th style="width:50%;">DESCRIPTION</th> <th style="width:15%;">DATE</th> <th style="width:15%;">APPD.</th> </tr> </thead> </table>				REVISIONS					ZONE	REV.	DESCRIPTION	DATE	APPD.
REVISIONS														
ZONE	REV.	DESCRIPTION	DATE	APPD.										
1														
2														
3														
4														
5														
6	SEE DETAIL I													
7														
8	DETAIL I													
9														
	<p>NOTE:</p> <p>(1) All dimensions are in mm.</p> <p>(2) Tolerance for all dimension is (±0.2)</p> <p>(3) Molding Material:</p> <p>(a) Zytel FR 50 BK 153J - UL & RoHS</p> <p>(b) Zytel 70G33L BK 031 - Non UL</p> <p>(c) Zytel 70G33L NC 010 - Non UL</p> <p>(d) Rynite FR530L BK507 - UL & RoHS</p> <p>(e) Ultramid A3X2G5 - UL & RoHS</p>			)										
				COMPONENT NAME: BOBBIN										
				PART NO: EE65-32-27 VERTICAL WITHOUTPIN										
				REMARKS:										
	NAME	SIGN.	DATE											
	DESIGN BY	SACHIDANAND	21.10.02											
	CHECKED BY	MANOJ GUPTA	21.10.02											
	APPR. BY	MANOJ GUPTA	21.10.02											
				SCALE: NTS	REV. 00									
				PATH 										

A B C D

REVISIONS				
ZONE	REV.	DESCRIPTION	DATE	APPD.



<p>NOTE: (1) All dimensions are in mm. (2) Tolerance for all dimension is (±0.2) (3) Molding Material: (a) Zytel FR 50 BK 153J - UL & RoHS (b) Zytel 70G33L BK 031 - Non UL (c) Zytel 70G33L NC 010 - Non UL (d) Rynite FR530L BK507 - UL & RoHS (e) Ultramid A3X2G5 - UL & RoHS</p>				<p>COMPONENT NAME: BOBBIN</p>	
<p>PART NO: EE65-32-54 VERTICAL WITHOUT PIN</p>				<p>REMARKS:</p>	
DESIGN BY	SACHIDANAND	SIGN.	<i>Sachidanand</i>	DATE	20/10/02
CHECKED BY	MANOJ GUPTA			DATE	20/10/02
APPR. BY	MANOJ GUPTA			DATE	20/10/02
<p>SCALE: NTS D</p>				<p>REV. 00</p>	