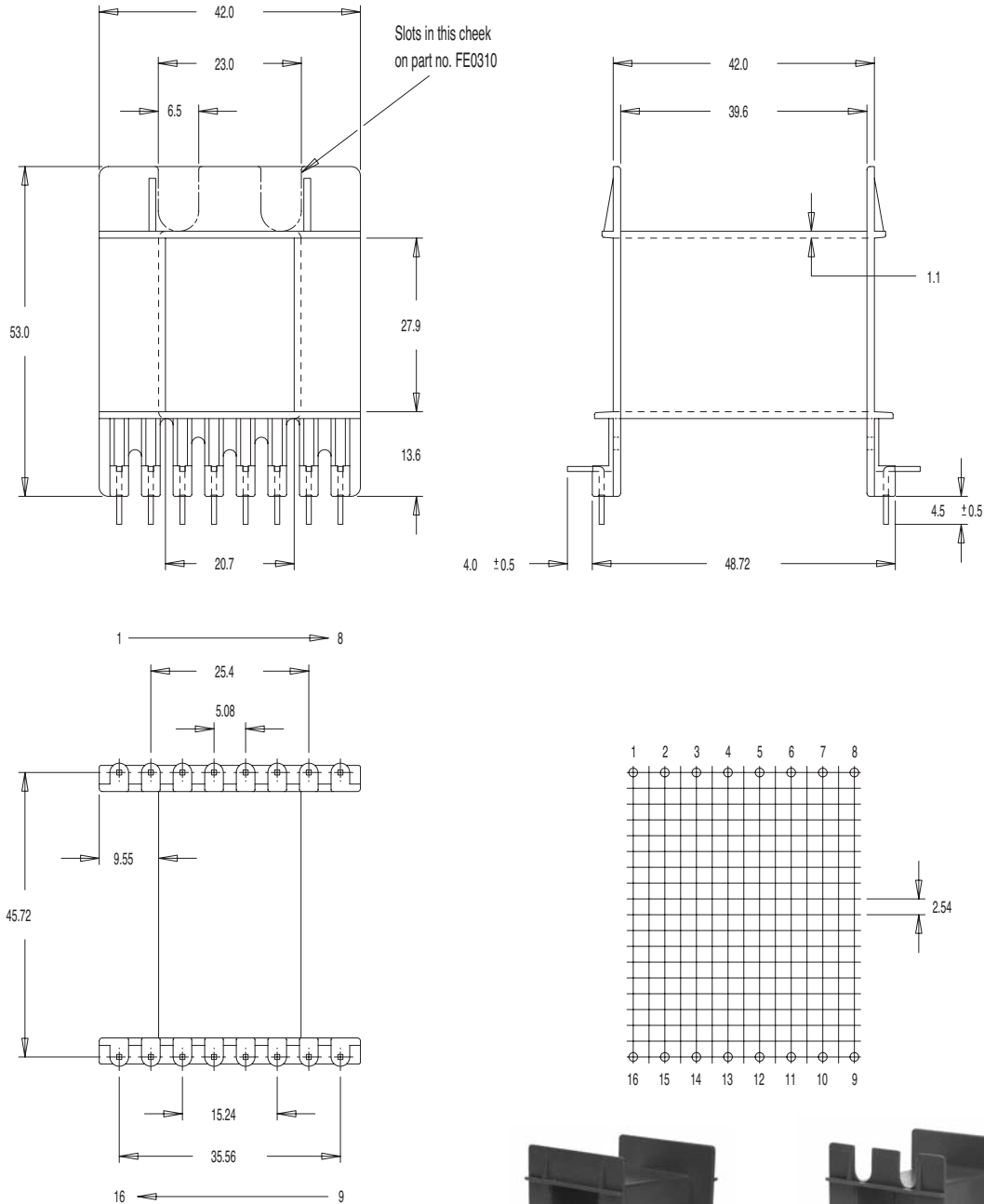




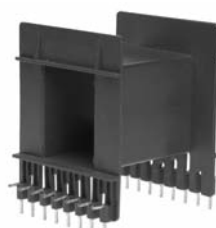
E/EE/EF Ferrite Core Coil Bobbins

MILES · PLATTS

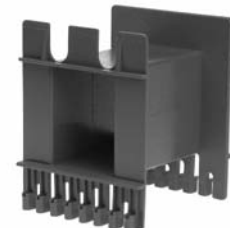
E 65/32/27



Bobbin size	Type/Description	No. of Pins available	Pin size	Part No.
E 65/32/27	SS	16 (2 x 8)	0.8 Sq.	FE0300
E 65/32/27	SS with slots	16 (2 x 8)	0.8 Sq.	FE0310
E 65/32/27	SS	16 (2 x 8)	Ø0.8	FE0340
E 65/32/27	SS with slots	16 (2 x 8)	Ø0.8	FE0350



FE0300



FE0310

Standard materials: Nylon 66 glass reinforced to UL94V0 Pin material: Phosphor Bronze Dimensions in millimetres



Prodin Ferrite S.L.

Calle A, 27, 08620 Sant Vicenç dels Horts, Barcelona (Spain)

Tel.: +34 93 672 46 10

info@prodinferrite.com www.prodinferrite.com



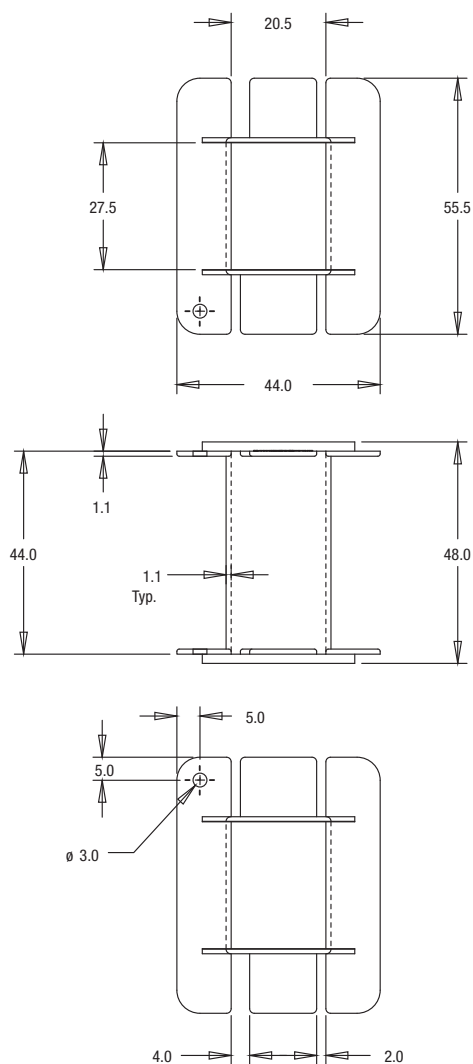
E/EE/EF Ferrite Core Coil Bobbins

MILES · PLATTS

E 65/32/27



FE0360GNNBLK



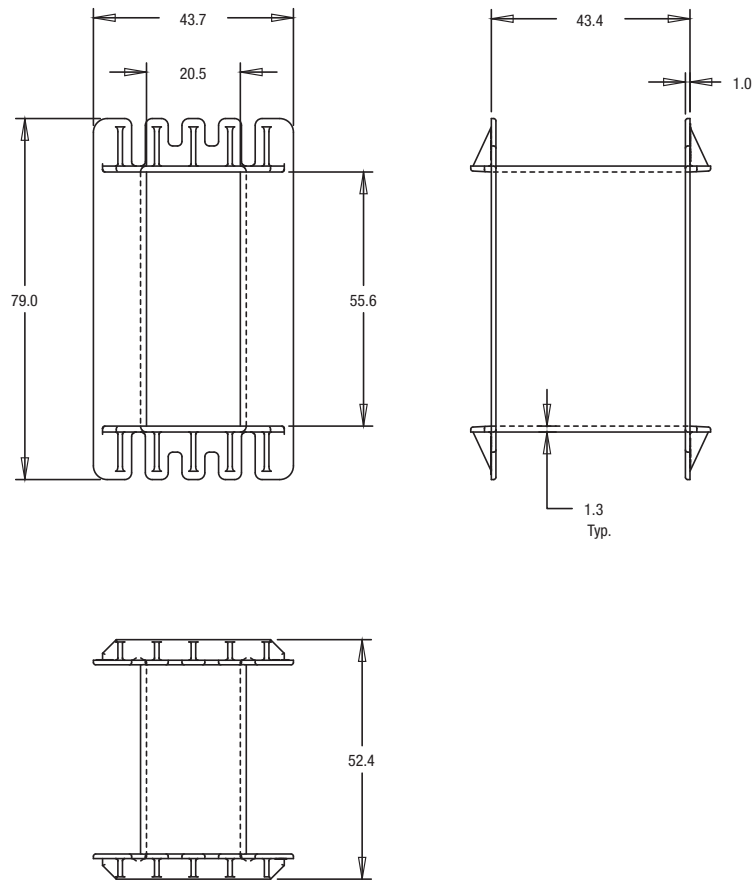
Bobbin Size	Description	Part No.
E 65/32/27	SS	FE0360

Standard Materials: Nylon 66 glass reinforced to UL94V0 / Nylon 66 glass reinforced to UL94HB.

Dimensions in millimetres



E 65/32/27 DOUBLE HEIGHT



Bobbin Size	Description	Part No.
E 65/32/27 Double Height	SS	FE0370

Standard Materials: Nylon 66 glass reinforced to UL94V0 / Nylon 66 glass reinforced to UL94HB.

Alternative materials available - refer to section 2, page 10.

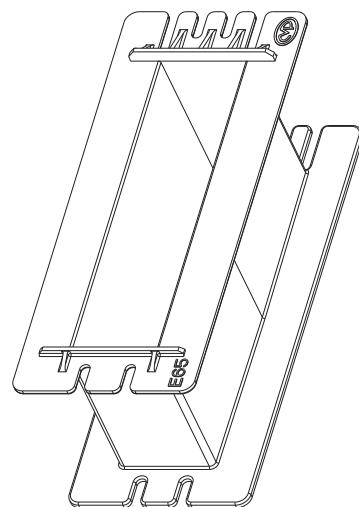
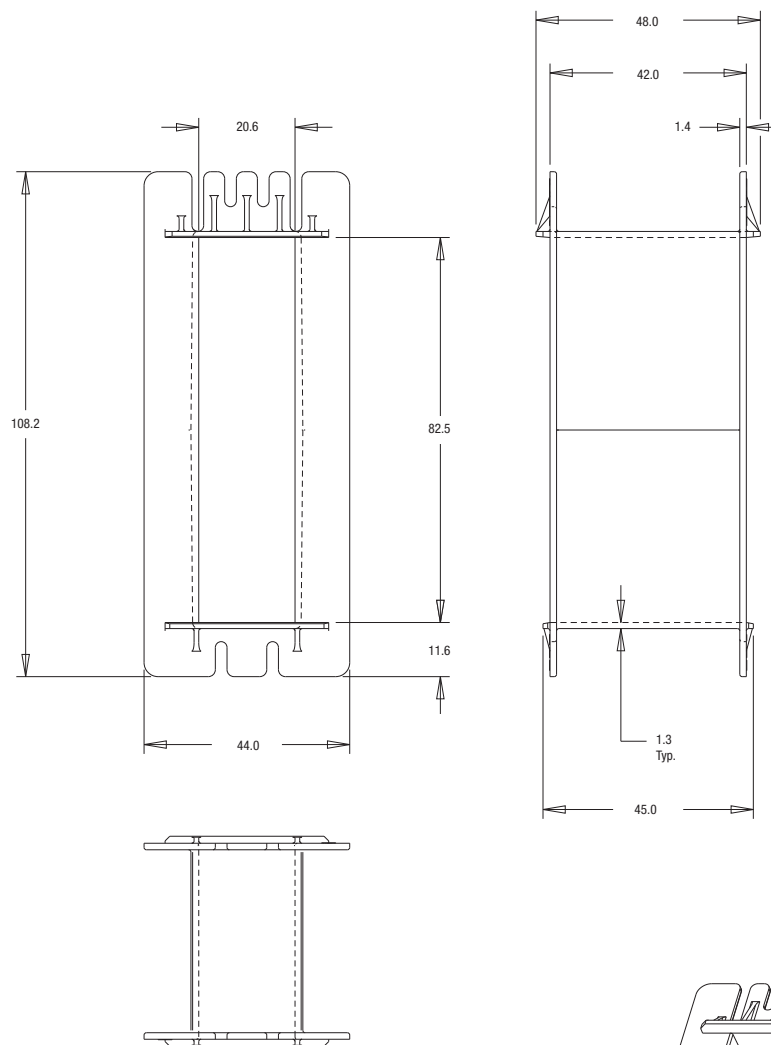
Dimensions in millimetres



E/EE/EF Ferrite Core Coil Bobbins

MILES · PLATTS

E 65/32/27 TRIPLE HEIGHT



Bobbin Size	Description	Part No.
E 65/32/27 Triple Height	SS	FE0380

Standard Materials: Nylon 66 glass reinforced to UL94V0 / Nylon 66 glass reinforced to UL94HB.

Alternative materials available - refer to section 2, page 10.

Dimensions in millimetres