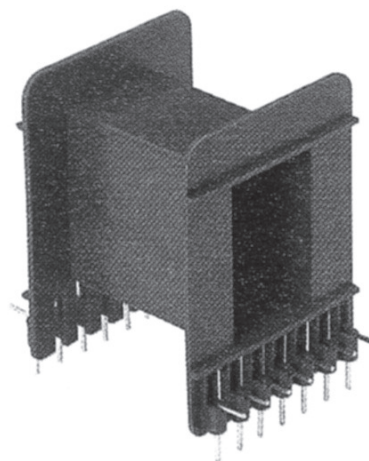
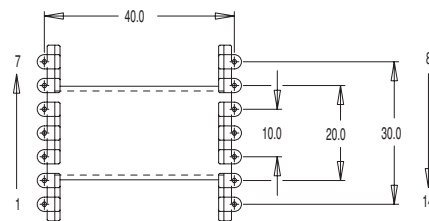
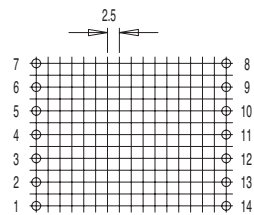
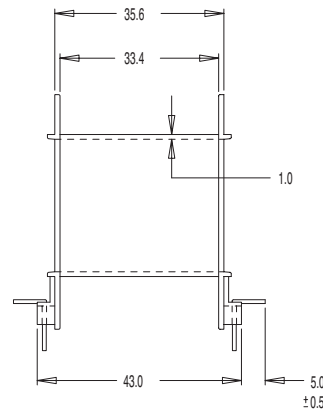
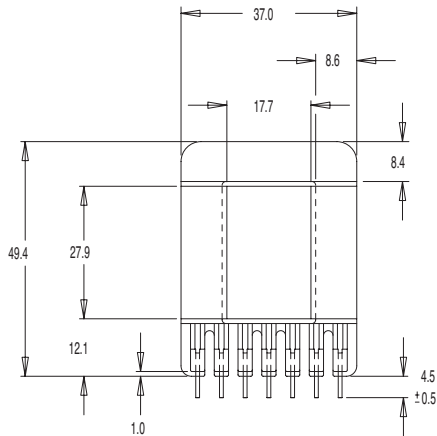




E/EE/EF Ferrite Core Coil Bobbins

MILES · PLATTS

E 55/28/25



Bobbin size	Type	No. of Pins available	Pin size	Part No.
E 55/28/25	SS	14 (2 x 7)	Ø0.9	FE0290

Standard materials: Nylon 66 glass reinforced to UL94V0 Pin material: Phosphor Bronze Dimensions in millimetres



Prodin Ferrite S.L.

Calle A, 27, 08620 Sant Vicenç dels Horts, Barcelona (Spain)

Tel.: +34 93 672 46 10

info@prodinferrite.com www.prodinferrite.com