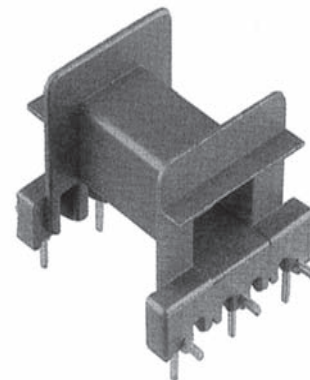
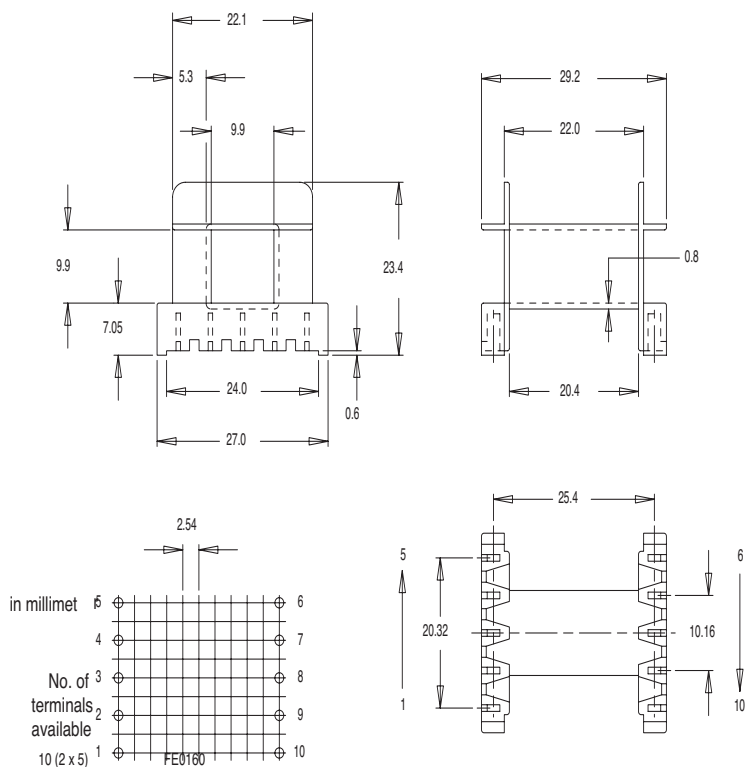




E/EE/EF Ferrite Core Coil Bobbins

MILES · PLATTS

EF 32/16/9



Bobbin size	T type	T erminal type	No. of terminals available	P a r t No.
E 32/16/9	SS	TBS 600 Series	10 (2 x 5)	FE0160

Standard materials: Nylon 66 glass reinforced to UL94V0
 Dimensions in millimetres



Prodin Ferrite S.L.

Calle A, 27, 08620 Sant Vicenç dels Horts, Barcelona (Spain)

Tel.: +34 93 672 46 10

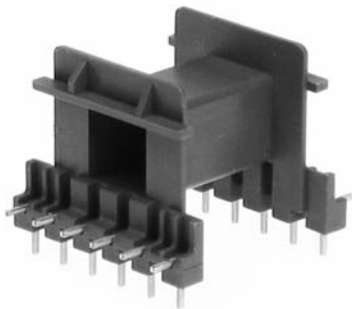
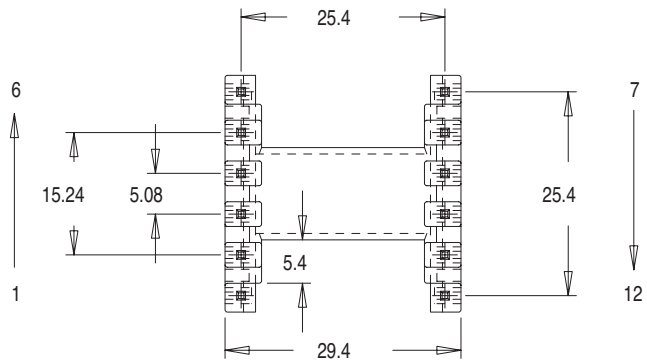
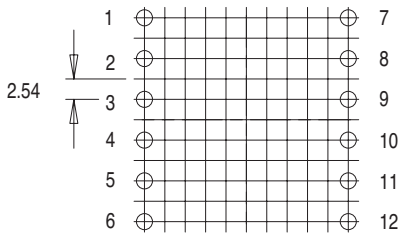
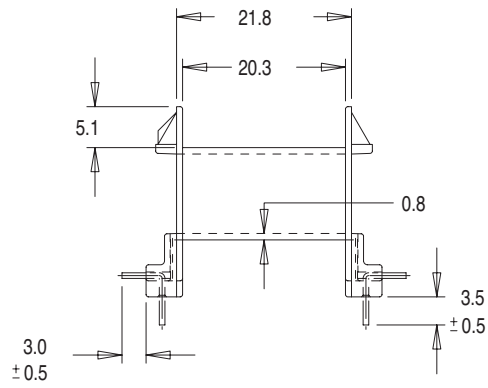
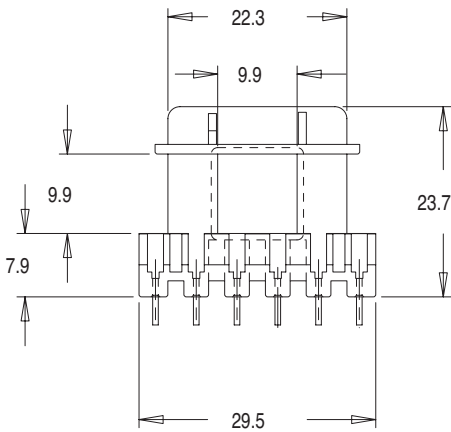
info@prodinferrite.com www.prodinferrite.com



E/EE/EF Ferrite Core Coil Bobbins

MILES · PLATTS

E 32/16/9 HORIZONTAL



FE0165

Bobbin size	Type	No. of pins available	Pin size	Part No.
E 32/16/9	SS	12 (2 x 6)	0.7 SQ.	FE0165

Standard materials: Nylon 66 glass reinforced to UL94V0
Dimensions in millimetres