



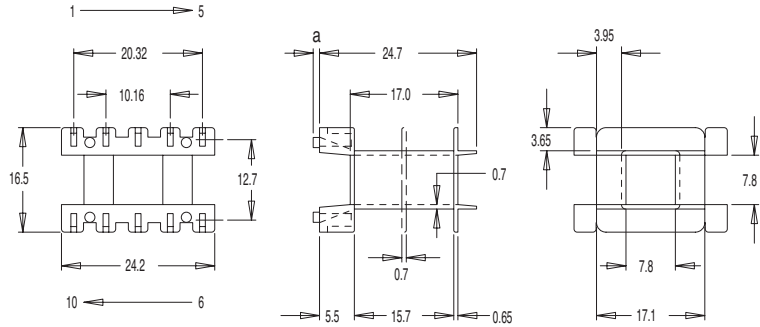
E/EE/EF Ferrite Core Coil Bobbins

MILES · PLATTS

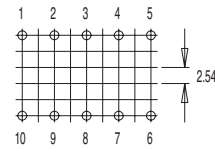
EF 25/13/7 VERTICAL



FE0100

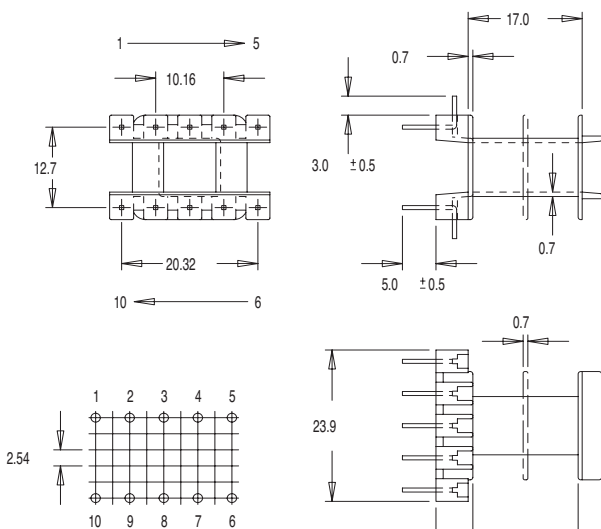


Bobbin size	Type/Description	Terminal type	No. of terminals available	a	Part No.
EF 25/13/7	SS With stand offs	TBS 600 Series	10 (2 x 5)	1.0	FE0100
EF 25/13/7	DS With stand offs	TBS 600 Series	10 (2 x 5)	1.0	FE0101
EF 25/13/7	SS	TBS 600 Series	10 (2 x 5)	-	FE0102
EF 25/13/7	DS	TBS 600 Series	10 (2 x 5)	-	FE0103
EF 25/13/7	SS With barrier stand offs	0.7mm Sq. Wire	10 (2 x 5)	3.1	FE0108*

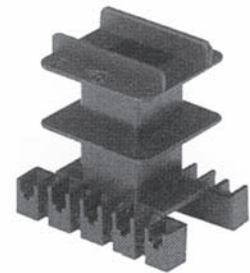


Standard materials: Nylon 66 glass reinforced to UL94V0 Dimensions in millimetres
 *Contact sales office for drawing - Standard Material Nylon 46 Glass Reinforced to UL94 V0.

EF 25/13/7 VERTICAL



Part No. FE0106
 Dimensions in millimetres



Bobbin size	Type Pins	No. of available	Pin size	Part No.	a
EF 25/13/7	SS	10 (2 x 5)	0.635 Sq.	FE0106	t
EF 25/13/7	DS	10 (2 x 5)	0.635 Sq.	FE0107	

Standard materials: Nylon 66 glass reinforced to UL94V0 Pin material: Phosphor Bronze Dimensions in millimetres



Prodin Ferrite S.L.

Calle A, 27, 08620 Sant Vicenç dels Horts, Barcelona (Spain)

Tel.: +34 93 672 46 10

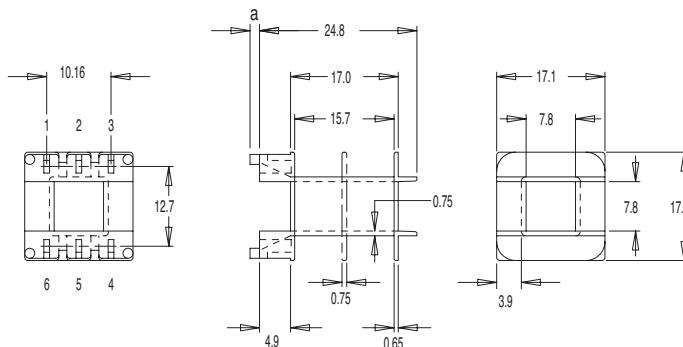
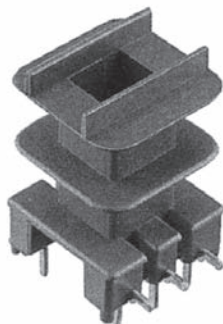
info@prodinferrite.com www.prodinferrite.com



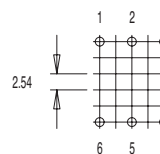
E/EE/EF Ferrite Core Coil Bobbins

MILES · PLATTS

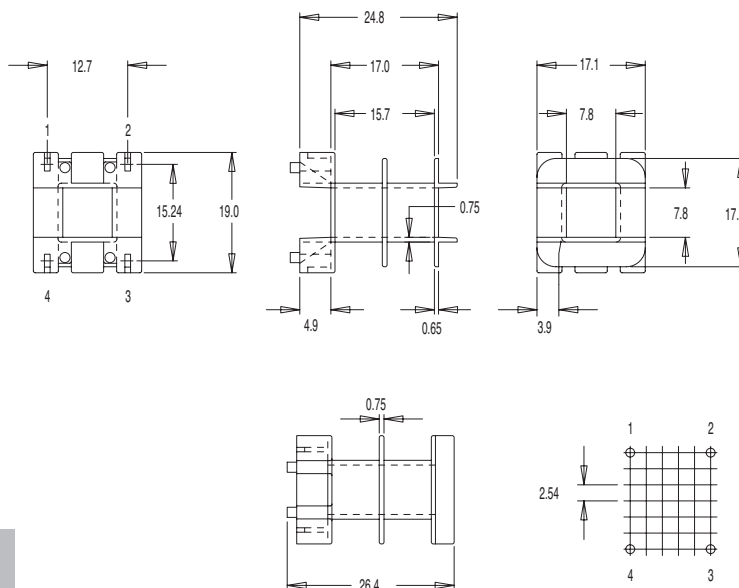
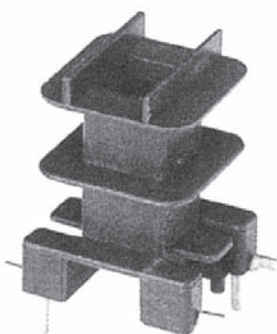
EF 25/13/7 VERTICAL



Bobbin size	Type/Description	Terminal type	No. of terminals available	a	Part No.
EF 25/13/7	SS With stand offs	TBS 600 Series	6 (2 x 3)	1.7	FE0080
EF 25/13/7	DS With stand offs	TBS 600 Series	6 (2 x 3)	1.7	FE0081
EF 25/13/7	SS	TBS 600 Series	6 (2 x 5)	-	FE0082
EF 25/13/7	DS	TBS 600 Series	6 (2 x 5)	-	FE0083



Standard materials: Nylon 66 glass reinforced to UL94V0 Dimensions in millimetres



Bobbin size	Type	Terminal type	No. of terminals available	Part No.
EF 25/13/7	DS	TBS 600 Series	4 (2 x 2)	FE0084

Standard materials: Nylon 66 glass reinforced to UL94V0 Dimensions in millimetres



Prodin Ferrite S.L.

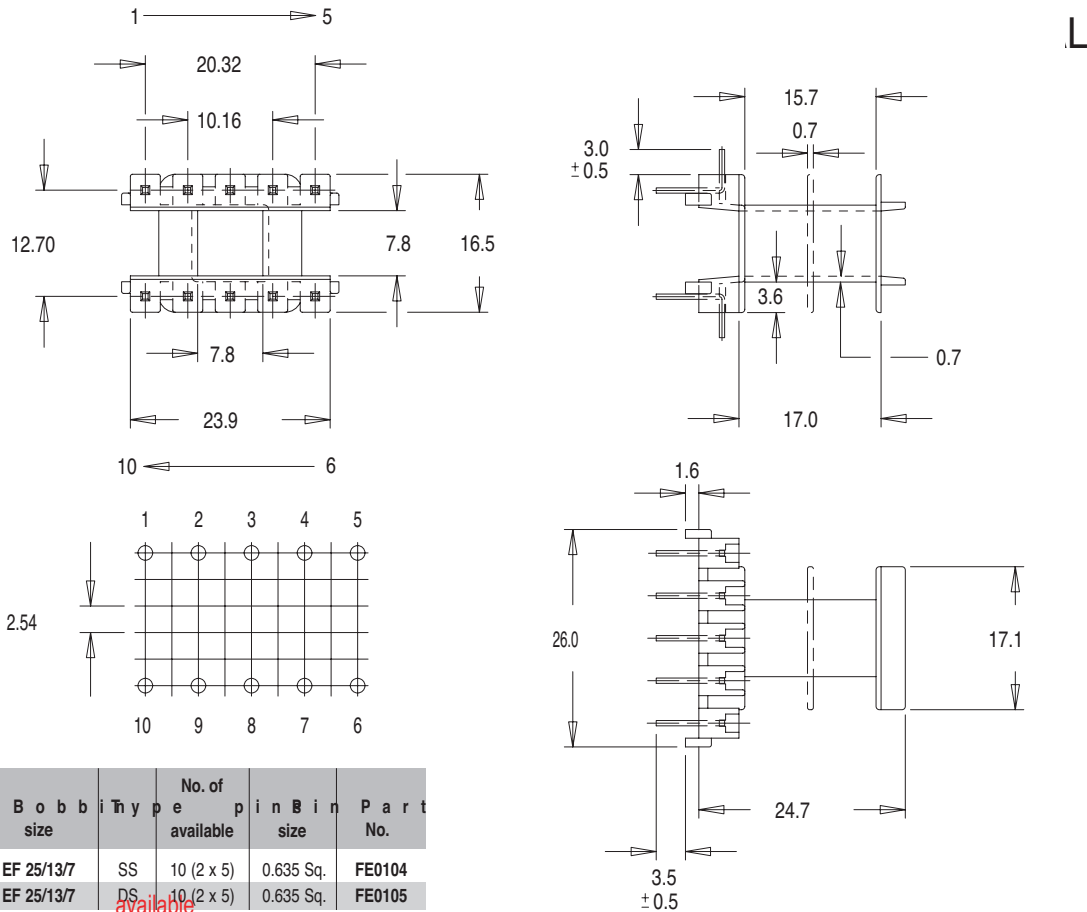
Calle A, 27, 08620 Sant Vicenç dels Horts, Barcelona (Spain)

Tel.: +34 93 672 46 10

info@prodinferrite.com www.prodinferrite.com



EF 25/13/7 VERTICAL



Standard materials: Nylon 66 to glass reinforced to UL94V0. Pin material: Phosphor Bronze. Dimensions in millimetres.

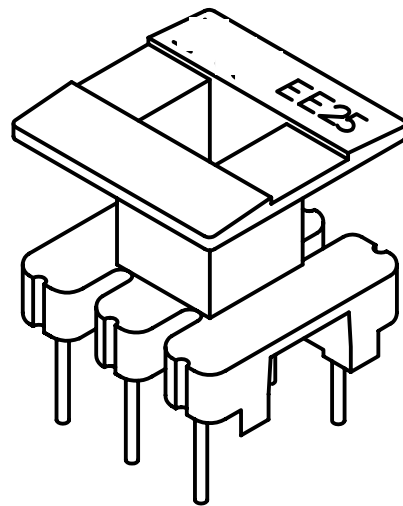
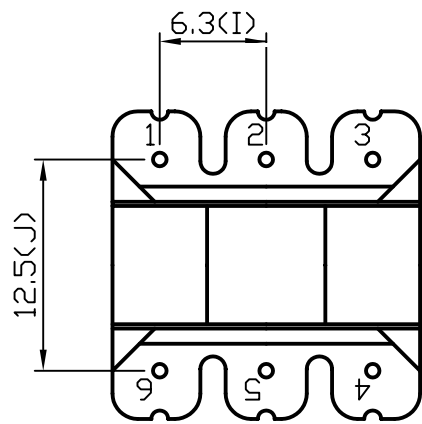
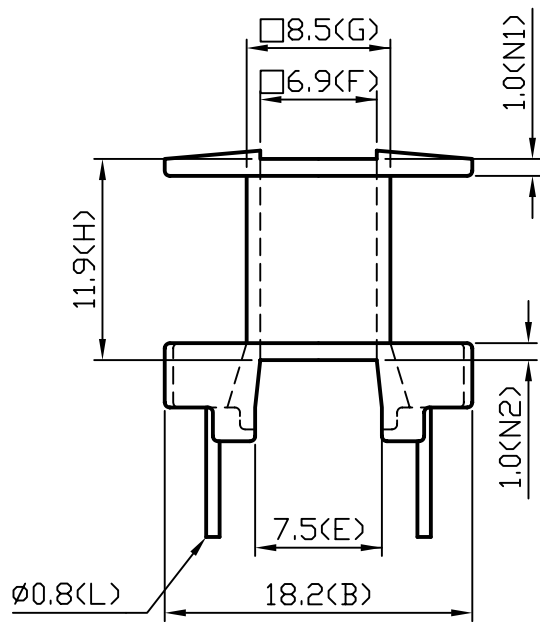
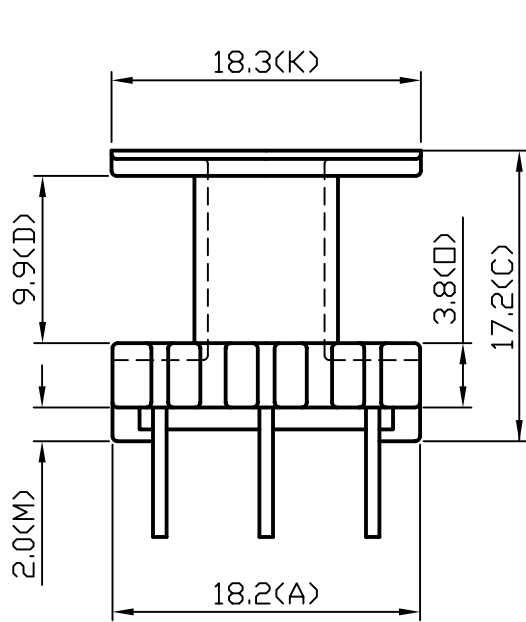


Prodin Ferrite S.L.

Calle A, 27, 08620 Sant Vicenç dels Horts, Barcelona (Spain)

Tel.: +34 93 672 46 10

info@prodinferrite.com www.prodinferrite.com



				TOLERANCE: WHOLE ±0.5 PIN PITCH ±0.1 ROW PITCH ±0.5		DECIMAL X ±0.3 .XX ±0.2		CHECK	
修改日期	修改部份	修改前尺寸	修改後尺寸	SHEET OF		REV.		DRAWING	
PRODIN FERRITE SL 93 6724610						MODEL		013	
						MATERIAL		PHENOLIC	
UNIT	m/m			SCALE	2 / 1		DATE	1997.07.29	