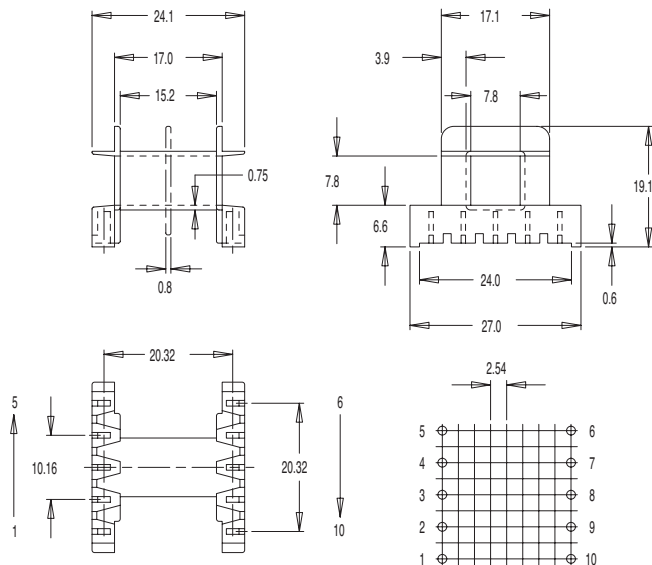
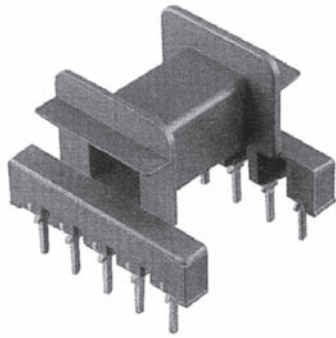




## EF 25/13/7 HORIZONTAL



Bobbin size	Type	Terminal type	No. of terminals available	Part No.
EF 25/13/7	SS	TBS 600 Series	10 (2 x 5)	FE0110
EF 25/13/7	DS	TBS 600 Series	10 (2 x 5)	FE0111

Standard materials: Nylon 66 glass reinforced to UL94V0    Dimensions in millimetres



### Prodin Ferrite S.L.

Calle A, 27, 08620 Sant Vicenç dels Horts, Barcelona (Spain)

Tel.: +34 93 672 46 10

[info@prodinferrite.com](mailto:info@prodinferrite.com)    [www.prodinferrite.com](http://www.prodinferrite.com)



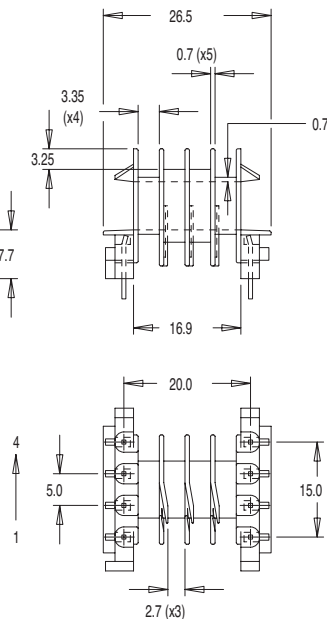
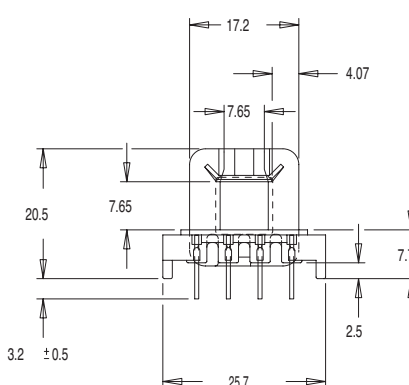
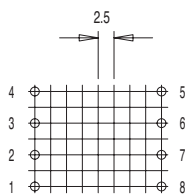
# E/EE/EF Ferrite Core Coil Bobbins

**MILES · PLATTS**

## EF 25/13/7 HORIZONTAL



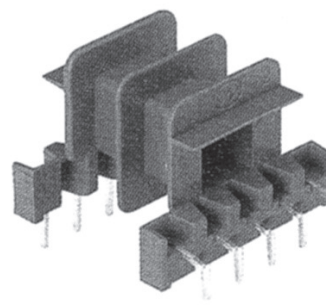
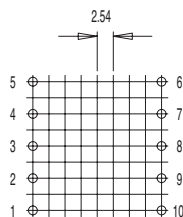
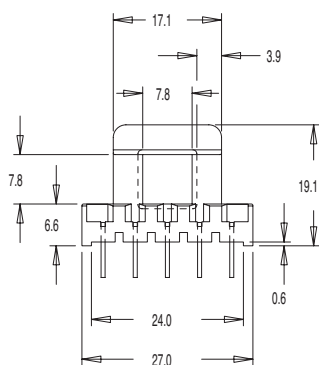
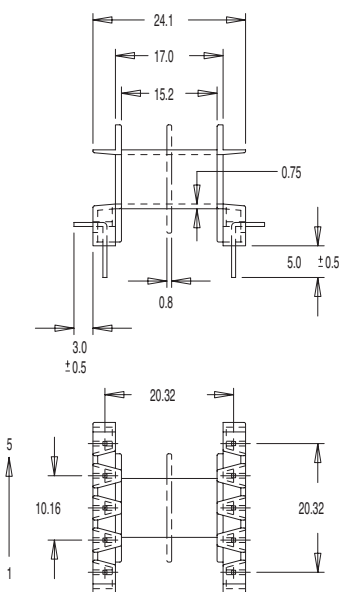
FE0115



Bobbin size	Type	No. of pins available	Pin size	Part No.
EF 25/13/7	4 chamber	8 (2 x 4)	0.635 Sq.	FE0115

Standard materials: Nylon 66 glass reinforced to UL94V0  
Pin material: Phosphor Bronze Dimensions in millimetres

## EF 25/13/7 HORIZONTAL



Bobbin size	Type	No. of pins available	Pin size	Part No.
EF 25/13/7	SS	10 (2 x 5)	0.635 Sq.	FE0116
EF 25/13/7	DS	10 (2 x 5)	0.635 Sq.	FE0117

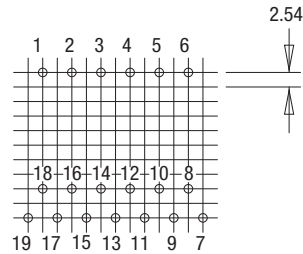
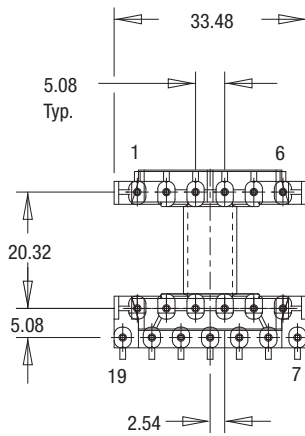
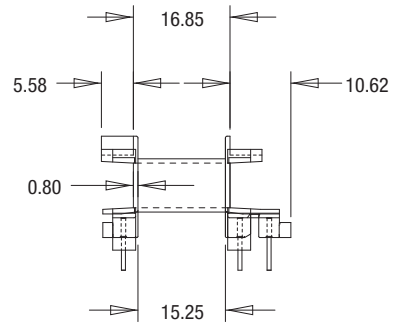
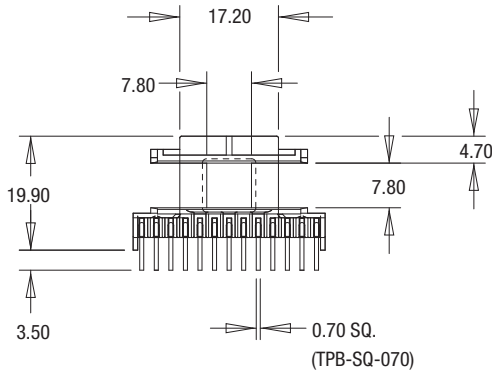
Standard materials: Nylon 66 glass reinforced to UL94V0  
Pin material: Phosphor Bronze Dimensions in millimetres



# E/EE/EF Ferrite Core Coil Bobbins

# MILES · PLATTS

## EF 25/13/7 19 PIN

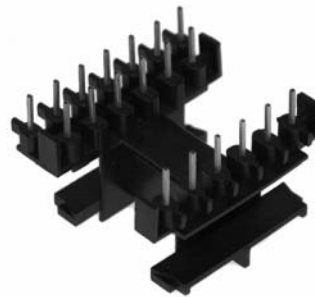


VIEW FROM  
UNDERSIDE OF PCB

Bobbin Size	Description	No. of Pins Available	Pin Size	Part No.
EF 25/13/7	SS	19	0.7 sq.	FE0090

Standard Material: Nylon 46 glass reinforced to UL94V0.  
Pin material: Phosphor Bronze.

Dimensions in millimetres



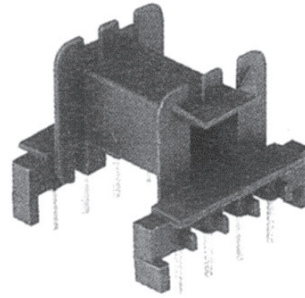
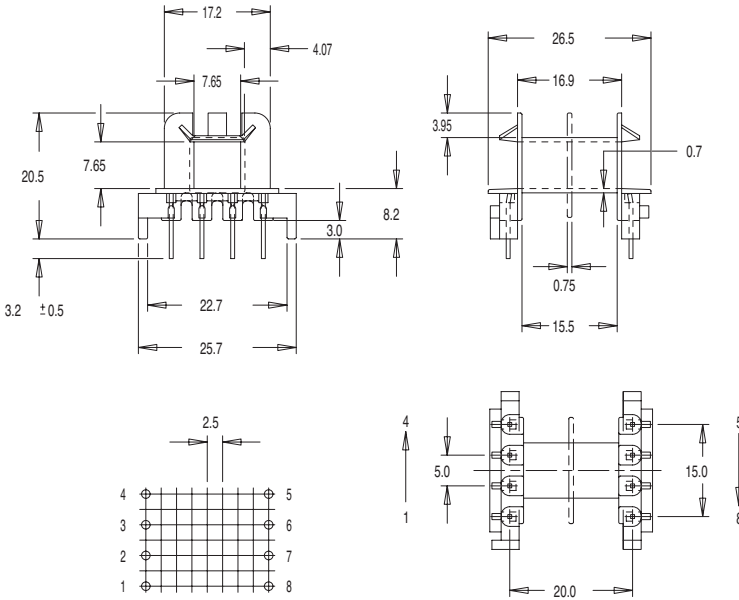
FE0090FSTBLK0001

# E/EE/EF Ferrite Core Coil Bobbins



**MILES · PLATTS**

## EF 25/13/7 HORIZONTAL



Bobbin size	Type	No. of Pins available	Pin size	Part No.
EF 25/13/7	SS	8 (2 x 4)	0.635 Sq.	FE0118
EF 25/13/7	DS	8 (2 x 4)	0.635 Sq.	FE0119

Standard materials: Nylon 66 glass reinforced to UL94V0  
 Pin material: Phosphor Bronze    Dimensions in millimetres