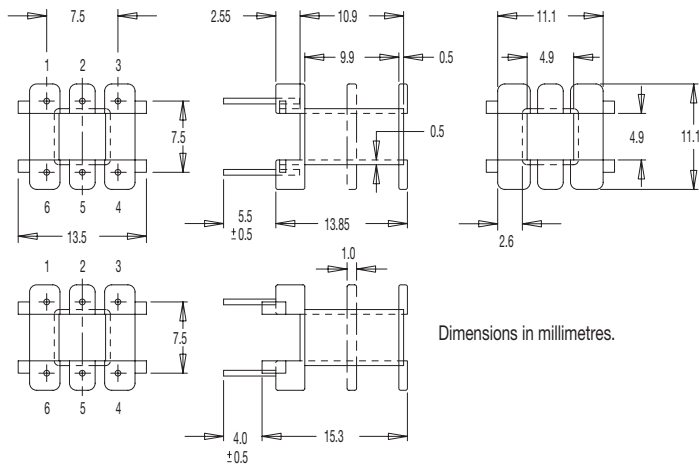
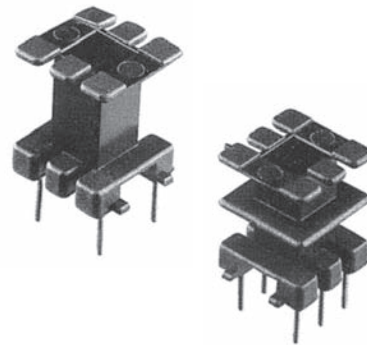
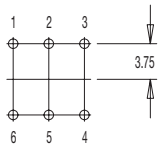




EF 16/8/5/ VERTICAL



Dimensions in millimetres.



Bobbin size	Type/Description	No. of pins available	Pin size	Part No.
EF 16/8/5	SS	6 (2 x 3)	Ø0.6	FE0030
EF 16/8/5	SS With stand offs	6 (2 x 3)	Ø0.6	FE0031
EF 16/8/5	DS	6 (2 x 3)	Ø0.6	FE0032
EF 16/8/5	DS With stand offs	6 (2 x 3)	Ø0.6	FE0033

Standard materials: Nylon 66 glass reinforced to UL94HB / Nylon 66 glass reinforced to UL94V0
Pin material: Nickel Silver Dimensions in millimetres