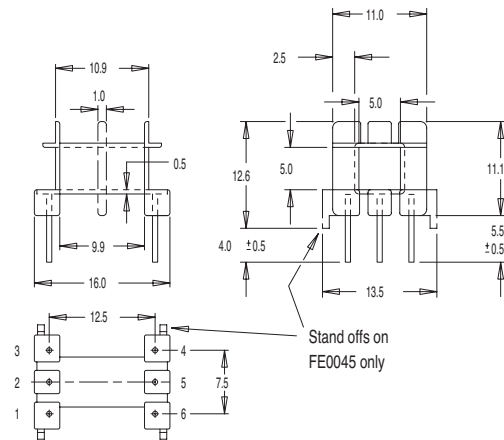
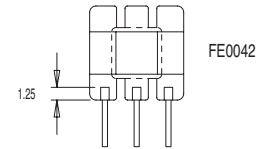
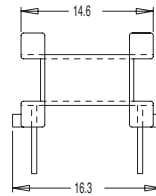
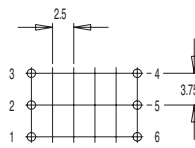
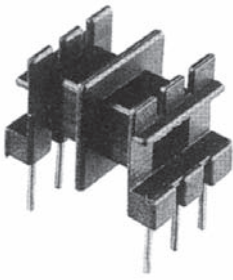




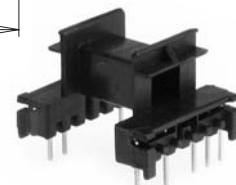
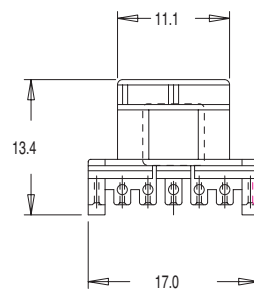
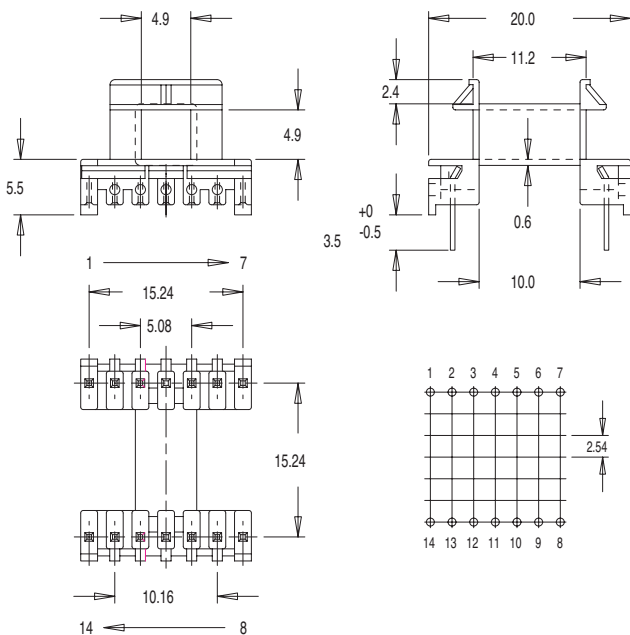
## EF 16/8/5 HORIZONTAL



Bobbin size	Type/Description	No. of pins available	Pin size	Part No.
EF 16/8/5	SS	6 (2 x 3)	Ø0.61	FE0040
EF 16/8/5	DS	6 (2 x 3)	Ø0.61	FE0041
EF 16/8/5	SS With pegs	6 (2 x 3)	Ø0.61	FE0042
EF 16/8/5	DS With s/off's	6 (2 x 3)	Ø0.61	FE0045

Standard materials: Nylon 66 glass reinforced to UL94HB / Nylon 66 glass reinforced to UL94V0  
Pin material: Nickel Silver. Dimensions in millimetres

## EF 16/8/5 HORIZONTAL (14-pin)



FE0047

Bobbin size	Type	No. of pins available	Pin size	Part No.
EF 16/8/5	SS	14 (2 x 7)	0.45 Sq.	FE0047

Standard materials: Nylon 46 glass reinforced to UL94V0  
Pin material: Phosphor Bronze Dimensions in millimetres

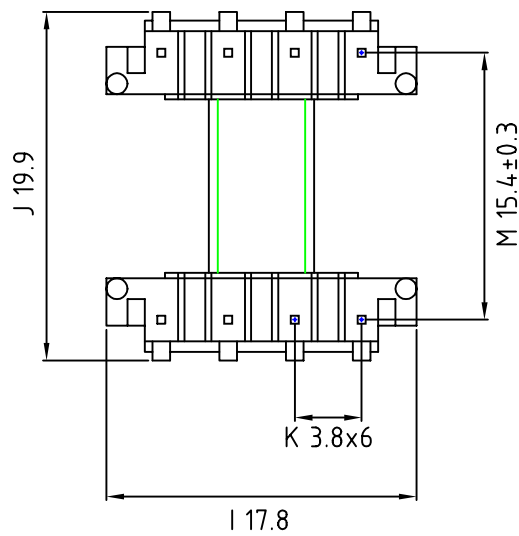
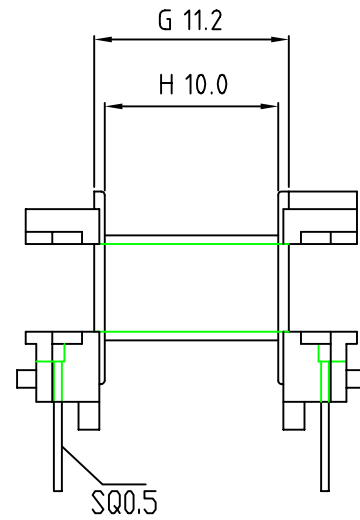
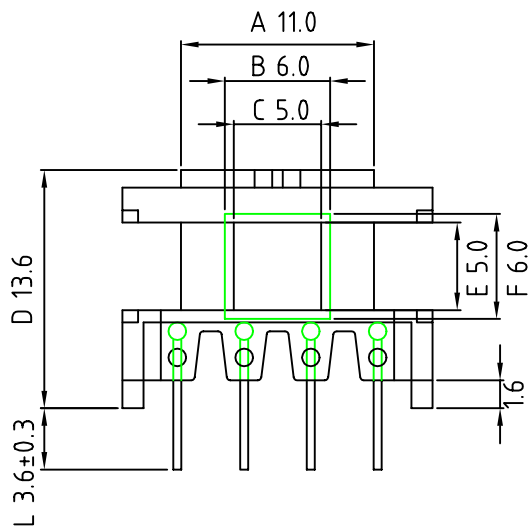
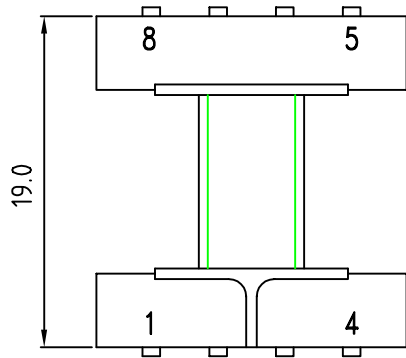


**Prodin Ferrite S.L.**

Carrer A, 27, 08620 Sant Vicenç dels Horts, Barcelona (Spain) Tel.:

+34 93 672 46 10

[info@prodinferrite.com](mailto:info@prodinferrite.com) [www.prodinferrite.com](http://www.prodinferrite.com)



DATE	REVISED STORY	MODEL : EF 16-8PIN		
	RELEASED THE NEW DRAWING SPEC.	BOBBIN MATERIAL : PET/GF UL94V-0		
		PIN MATERIAL : CP WIRE (TIN PLATED)		
		DATE : June 01,2002	REV.: A	TOLERANCE : .XXX±0.8 .XX ±0.8 .X ±0.8