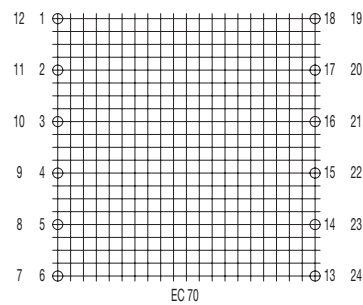
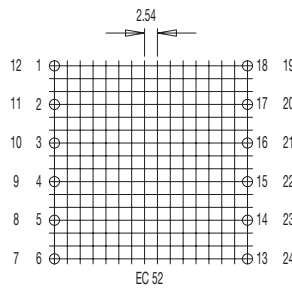
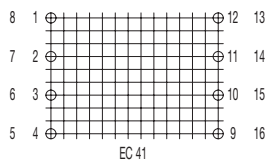
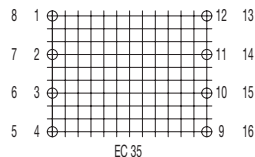
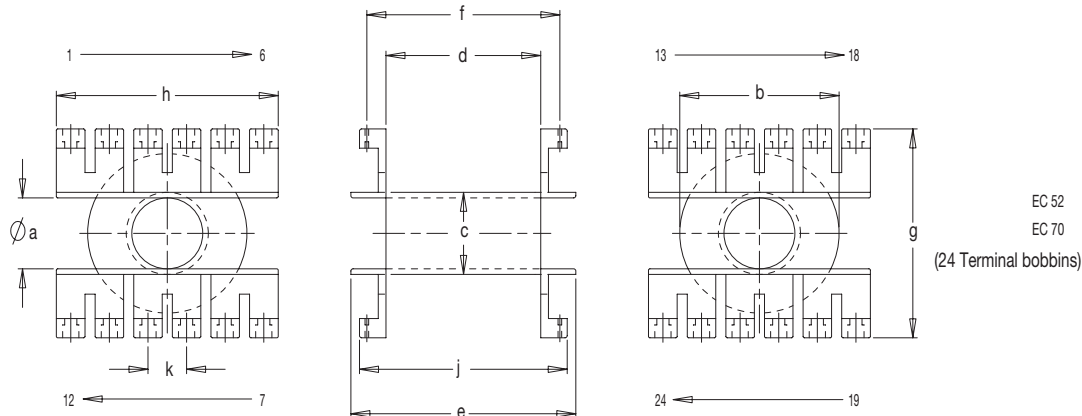
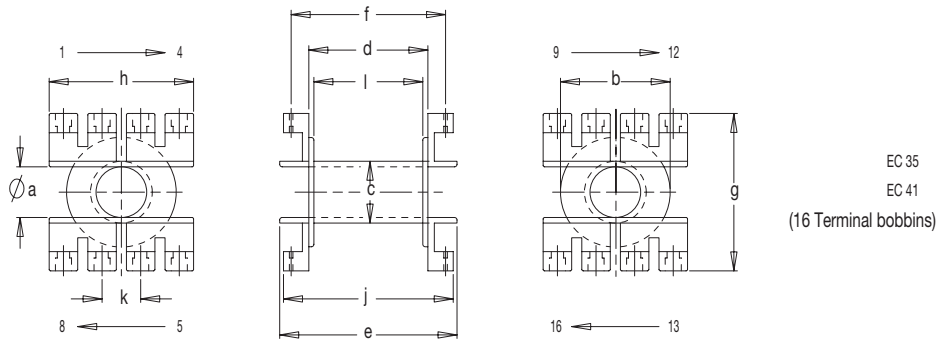




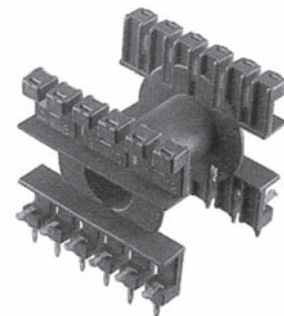
SWITCH MODE



For use with terminals TBS 902/3/6/8/9

| Bobbin size | No. of terminals available | a | b | c | d | e | f | g | h | j | k | l | Part No. |
|--------------|----------------------------|------|------|------|-------|------|-------|-------|------|------|-------|------|----------|
| EC 35 (MP23) | 16 (4 x 4) | 10.0 | 21.6 | 12.2 | 23.5 | 34.0 | 30.48 | 31.1 | 28.5 | 33.5 | 7.62 | 21.5 | FC0010 |
| EC 41 (MP33) | 16 (4 x 4) | 12.1 | 25.6 | 14.1 | 26.7 | 38.5 | 33.02 | 36.15 | 28.5 | 36.0 | 7.62 | 24.5 | FC0020 |
| EC 52 (MP43) | 24 (4 x 6) | 14.0 | 31.4 | 16.2 | 28.3 | 44.4 | 38.1 | 41.23 | 43.8 | 41.0 | 7.62 | 28.3 | FC0030 |
| EC 70 (MP53) | 24 (4 x 6) | 17.2 | 42.5 | 19.4 | 41.45 | 51.6 | 50.8 | 51.4 | 56.5 | 54.2 | 10.16 | 41.5 | FC0040 |

Standard materials: Nylon 66 glass reinforced to UL94V0 Dimensions in millimetres



Prodin Ferrite S.L.

Calle A, 27, 08620 Sant Vicenç dels Horts, Barcelona (Spain)

Tel.: +34 93 672 46 10

info@prodinferrite.com www.prodinferrite.com