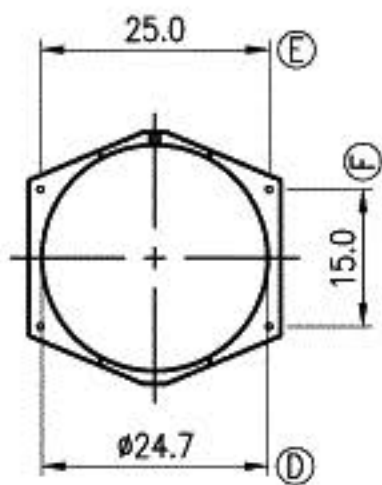
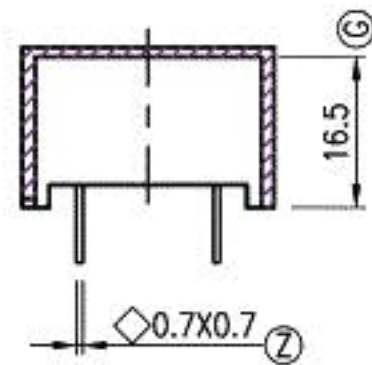
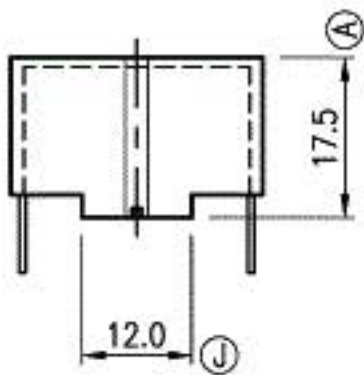


Ⓜ Ⓜ



Date	Revised Record
04.07.31	A/2

Model	<b>CASE-50</b>	4 PINs
Bobbin Material: PET 4410G6 UL-94V-0		
Pin Material: CP Wire		
PIN PITCH: ± 0.2	Tolerance: 0 < L ≤ 4 ± 0.1	
Unit: mm	4 < L ≤ 16 ± 0.2	
	16 < L ≤ 60 ± 0.3	
	Date: 2004.07.31	