



PRODUCT DATA APPROVAL SHEET

Core-UUR6440

Cosmo Ferrites Ltd. -INDIA

Appearance & Shape: To be free from any defect such as flow, burrs, unevenness etc, as per IEC standards.
 Effective Parameters irrespective of material grade (per set)



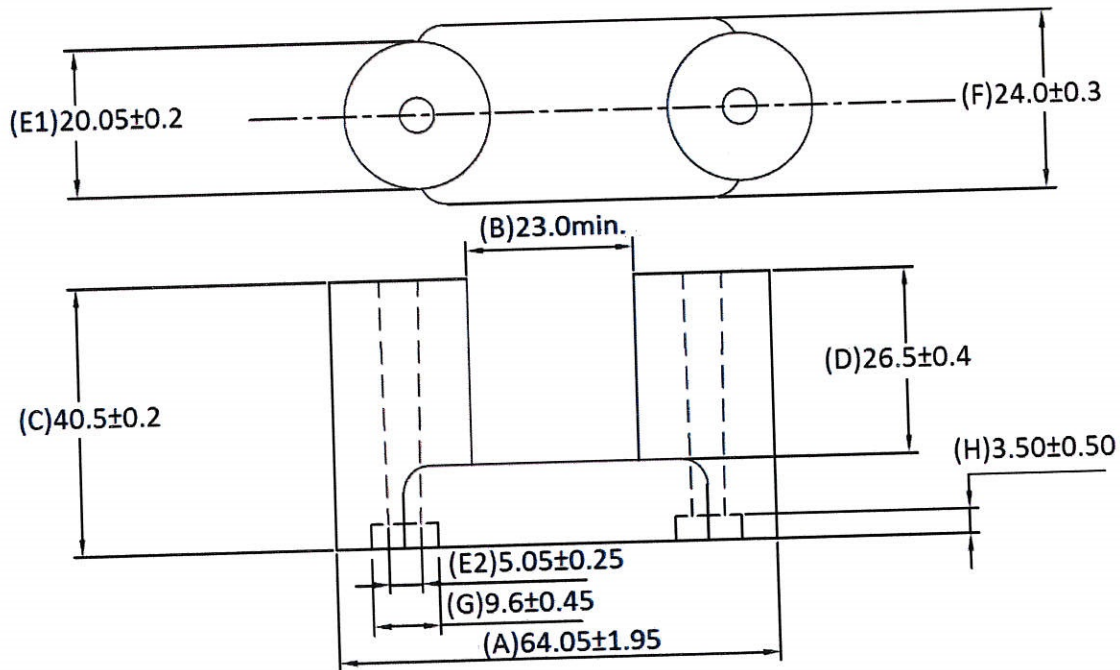
Parameter	Value	Unit
Effective Length (L_e):	210.0	mm
Effective Area (A_e):	290.0	mm ²
Effective Area (A_{min}):	276.0	mm ²
Effective Volume (V_e):	61000	mm ³
Approximate weight(m):	310	g/set

“Clamping force for AL measurement is 80 ± 20 N, unless otherwise stated”

UUR6440 Un-gapped (OL)

Test Conditions: 1kHz/1mT/CFR COIL, N=100/25°C

Material Grade	Initial Permeability(μ_{iac})	AL Value (nH)	μ_e Approx./Set	P_v (W/set) (25kHz,200mT, 100°C)	P_v (W/set) (100kHz,100mT, 100°C)
CF139	2100 \pm 20%	3300+30%/-20%	\approx 1926	\leq 7.8	\leq 6.1
CF297	2300 \pm 20%	3600+30%/-20%	\approx 2100	\leq 7.5	\leq 5.49



Prodin Ferrite S.L.

CalleA, 27, 08620 Sant Vicenç dels Horts, Barcelona (Spain)

Tel.: +34 93 672 46 10

info@prodinferrite.com www.prodinferrite.com