

PRODUCT DATA APPROVAL SHEET

Core – UU5756

Cosmo Ferrites Ltd. -

Appearance & shape: To be free from any defect such as flow, burrs, unevenness etc. as per IEC standards.

Effective Parameters Irrespective of material grade (per set):

- Effective Length (L_e): 163mm
- Effective Area (A_e): 171mm²
- Effective Area ($A_{min.}$): 167mm³
- Effective Volume (V_e): 27900mm³

Approximate Weight : 142.5g/Set

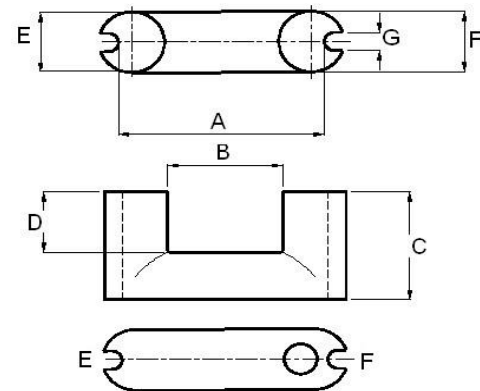


UU5756 Un-gapped (OL)

Test Conditions : 1 KHz/50mV/N=100/Lo=Zero/25°C

Material Grade	Initial Permeability (μ_{iac})	AL Value (nH)	μ_e Approx./Set	P_v (W/set) (25kHz, 200mT, , 100°C)	P_v (W/set) (100kHz, 100mT, , 100°C)	P_v (W/set) (100kHz, 200mT, , 100°C)
CF139	2100 ±20%	2450 +30%/-20%	≈ 1790	≤3.77	≤2.79	≤16.04

Dimension	Nominal (in mm)	Maximum (in mm)	Minimum (in mm)
A	49.8	50.6	49.0
B	27.9	28.9	26.9
C	28.4	28.6	28.2
D	16.0	16.4	15.6
E	15.5	15.9	15.1
F	15.9	16.3	15.5
G	4.8	5.0	4.6



Dimensions :