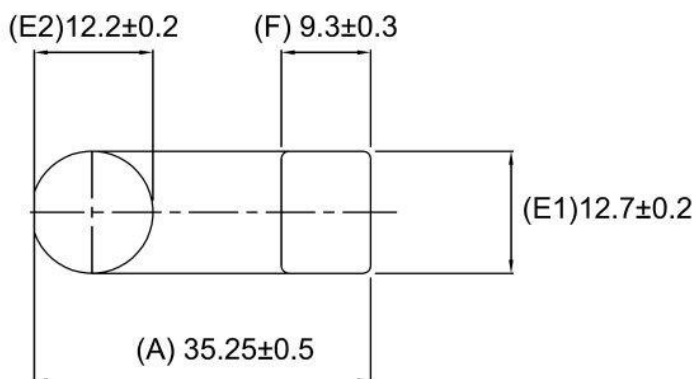


Appearance & Shape: To be free from any defect such as flow, burrs, unevenness etc, As per IEC standards. Effective Parameters irrespective of material grade (per set)

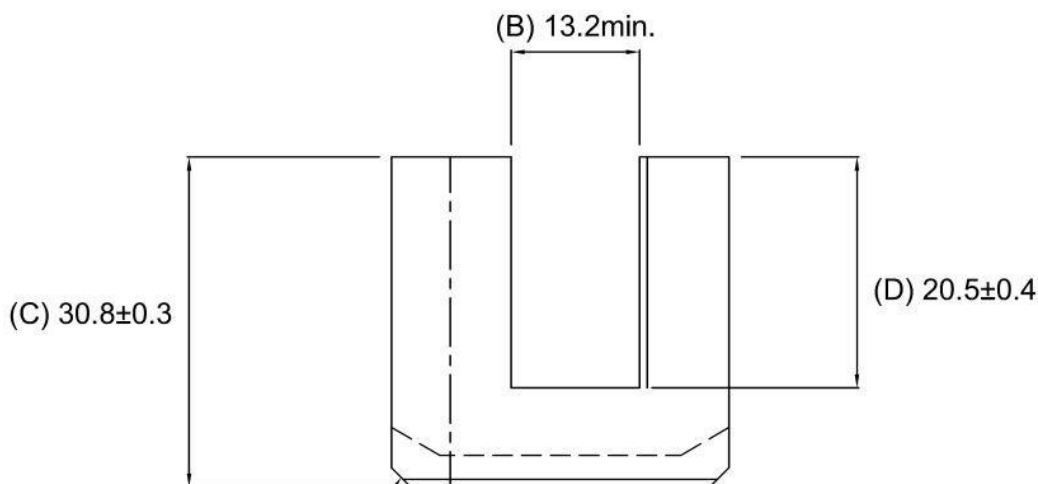
- Effective Length (L_e): 141.4mm
- Effective Area (A_e): 113.5mm²



- Effective Area (A_{min}): 111.9mm²
- Effective Volume (V_e): 16049mm³
Approximate weight: 95 g/Set

UU3562 (OL)

Test Conditions:
1kHz/1mT/CFR
COIL, N=100/25°C



Material Grade	Initial Permeability (μ_{iac})	AL Value (nH)	μ_e approx.	P_v (W/set)
CF139	2100 ±20%	2000 +30%/-20%	≈1950	≤1.60(100mT,100kHz, 100°C)