



PRODUCT DATA APPROVAL SHEET

Core- T8530

Cosmo Ferrites Ltd. - INDIA

Appearance & Shape: To be free from any defect such as flow, burrs, unevenness etc, As per IEC standards.

Effective Parameters irrespective of material grade (per piece)

- Effective Length (L_e): 227.1mm
 - Effective Area (A_e): 342.2mm²
 - Effective Area (A_{Min}): 342.2mm²
 - Effective Volume (V_e): 77710mm³
- Approximate weight : 375.0g/pc



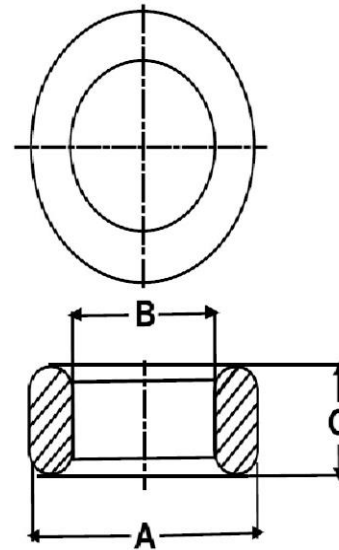
T85300L (Un-Coated)

Test Conditions: 10kHz/150mV/CFR Coil,N=01/Lo=Zero/25°C

Material Grade	Initial Permeability (μ_{iac})	AL Value (nH)
CF195A	5000 \pm 20%	9450 +30%/-20%

Dimensions(Un-coated Cores)

Dimension	Nominal (in mm)	Maximum (in mm)	Minimum (in mm)
A	85.0	86.5	83.5
B	62.0	63.5	60.5
C	30.0	31.0	29.0



Prodin Ferrite S.L.

Calle A, 27, 08620 Sant Vicenç dels Horts, Barcelona (Spain)
Tel.: +34 93 672 46 10