

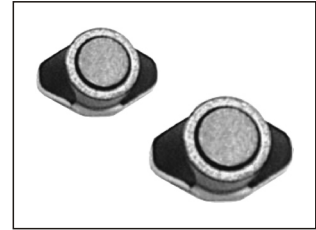
## SHIELDED SURFACE-MOUNT POWER INDUCTORS

### FEATURES:

- Current up to 8A
- Very Small Foot Print
- Flat-top for Pick & Place

### COMMON APPLICATIONS:

- Ideal for Palm-Top and Laptop DC-DC Converters
- PDA's Flash Memory
- Step-up, Step-down Converters



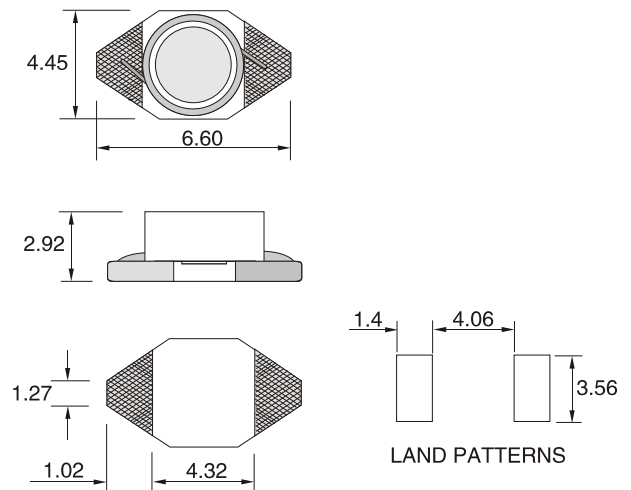
### ELECTRICAL CHARACTERISTICS:

Part Number	L μH	Test Freq KHz	DCR Ω Max	IDC Max A
PIS0603S-1R0M	1.0	1.0	0.040	3.0
PIS0603S-1R5M	1.5	1.0	0.045	2.8
PIS0603S-2R2M	2.2	1.0	0.050	1.8
PIS0603S-3R3M	3.3	1.0	0.055	1.6
PIS0603S-4R7M	4.7	1.0	0.060	1.4
PIS0603S-6R8M	6.8	1.0	0.065	1.2
PIS0603S-100M	10	1.0	0.075	1.0
PIS0603S-150M	15	1.0	0.090	0.80
PIS0603S-220M	22	1.0	0.11	0.70
PIS0603S-330M	33	1.0	0.19	0.60
PIS0603S-470M	47	1.0	0.23	0.50
PIS0603S-680M	68	1.0	0.29	0.40
PIS0603S-101M	100	1.0	0.48	0.30
PIS0603S-151M	150	1.0	0.59	0.26
PIS0603S-221M	220	1.0	0.90	0.22
PIS0603S-331M	330	1.0	1.40	0.20
PIS0603S-471M	470	1.0	1.80	0.19
PIS0603S-681M	680	1.0	2.20	0.18
PIS0603S-102M	1000	1.0	3.40	0.15
PIS0603S-152M	1500	1.0	4.20	0.12
PIS0603S-222M	2200	1.0	8.50	0.10
PIS0603S-332M	3300	1.0	11.0	0.08
PIS0603S-472M	4700	1.0	13.9	0.06
PIS0603S-682M	6800	1.0	25.0	0.04
PIS0603S-103M	10000	1.0	32.8	0.02

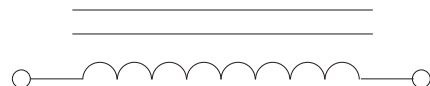
Note: 1. K= ± 10%, M= ± 20%, N= ± 30%

### CHARACTERISTICS:

DIMENSIONS IN: mm



### ELECTRONICAL SCHEMATIC



### TECHNICAL INFORMATION:

- Testing: (Equivalent acceptable)  
Inductance: HP4285A  
RDC: QuadTech 1880 Milliohmeter  
-Q- HP4342A - SRF-HP4191A
  - IDC Max: Determined when superimposed  
DC current is decreased 10% against its initial value
  - Operating Temperature: -40°C to +85°C
  - Storage Temperature: -40°C to +105°C
  - Solder methods: Vapor Phase, Infrared Reflow
  - Resistance to soldering heat: 260°C for 10 seconds
  - Solvent resistance: Conforms to MIL-STD-202E
  - Marking: Inductance & Tolerance
- Note: All specification subject to change without noticed.



**Prodin Ferrite S.L.**

CalleA, 27, 08620 Sant Vicenç dels Horts, Barcelona (Spain)

Tel.: +34 93 672 46 10

[info@prodinferrite.com](mailto:info@prodinferrite.com) [www.prodinferrite.com](http://www.prodinferrite.com)

