

SURFACE-MOUNT POWER INDUCTORS

FEATURES:

- Ferrite Core Structure
- Low DC Resistance
- Large current up to 3.4A
- Excellent Mechanical Strength
- High Reliability and Excellent Solderability
- Low and square Profile
- High heat resistance

COMMON APPLICATIONS:

- VCRs, Notebook, DC/DC Converters
- Video Digital Cameras
- Communication System
- Automotive Systems Power supplier
- LCD PDP Televisions
- Hard Disk Drives, Topset, XDSL
- Network Systems
- Computer Peripheral Equipment

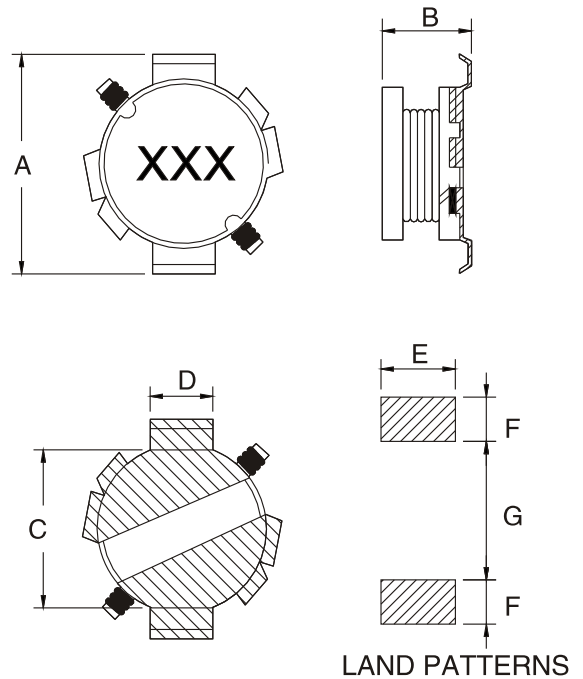


ELECTRICAL CHARACTERISTICS:

Part Number	L μH	Test Freq KHz	DCR Ω Max	IDC Max A
PRS6020-1R2M	1.2	100	0.02	3.40
PRS6020-1R5M	1.5	100	0.03	3.10
PRS6020-2R4M	2.4	100	0.04	2.40
PRS6020-3R3M	3.3	100	0.05	2.20
PRS6020-4R7M	4.7	100	0.07	1.80
PRS6020-6R8M	6.8	100	0.10	1.60
PRS6020-100M	10	100	0.14	1.30
PRS6020-120M	12	100	0.18	1.20
PRS6020-150M	15	100	0.20	1.00
PRS6020-180M	18	100	0.24	0.95
PRS6020-220M	22	100	0.27	0.90
PRS6020-270M	27	100	0.37	0.75
PRS6020-330M	33	100	0.43	0.70
PRS6020-390M	39	100	0.47	0.62
PRS6020-470M	47	100	0.66	0.56
PRS6020-560M	56	100	0.74	0.51
PRS6020-680M	68	100	1.01	0.45
PRS6020-820M	82	100	1.13	0.43
PRS6020-101K	100	100	1.31	0.41
PRS6030-151K	150	100	1.9	0.38
PRS6030-181K	180	100	2.3	0.35
PRS6030-221K	220	100	3.0	0.30
PRS6030-271K	270	100	3.5	0.26
PRS6030-331K	330	100	4.2	0.23
PRS6030-391K	390	100	4.8	0.21
PRS6030-471K	470	100	5.7	0.19
PRS6030-561K	560	100	6.4	0.18
PRS6030-681K	680	100	7.6	0.17
PRS6030-821K	820	100	10	0.14
PRS6030-102K	1000	100	12	0.13
PRS6030-122K	1200	100	16	0.11
PRS6030-152K	1500	100	19	0.10
PRS6030-182K	1800	100	28	0.08
PRS6030-222K	2200	100	30	0.075
PRS6030-272K	2700	100	36	0.070
PRS6030-332K	3300	100	48	0.065
PRS6030-392K	3900	100	54	0.055
PRS6030-472K	4700	100	63	0.050
PRS6030-562K	5600	100	72	0.048

Note: 1. K= ± 10%, M= ± 20%, N= ± 30%

CHARACTERISTICS:



LAND PATTERNS

DIMENSIONS IN: mm

Part Number	A	B	C	D	E	F	G
PRS6020	7.3Max	2.9Max	5.0	2.0	3.0	2.0	4.4
PRS6030	7.3Max	3.3Max	5.0	2.0	3.0	2.0	4.4

TECHNICAL INFORMATION:

- Inductor Testing: HP4284A (Equivalent acceptable)
DCR: QuadTech 1880 Milliohmeter
Q- HP4342A - SRF-HP4191A
IDCMax current is decreased 10% against its initial value
 - Operating temperature: -40°C to +105°C
 - Storage Temperature: -40°C to +105°C
 - Solder methods: Vapor Phase, Infrared Reflow
 - Resistance to soldering heat: 260°C for 10 seconds
 - Solvent resistance: Conforms to MIL-STD-202E
 - Marking: Inductance & Tolerance
- Note: All specifications subject to change without notice.



Prodin Ferrite S.L.

Calle A, 27, 08620 Sant Vicenç dels Horts, Barcelona
(Spain) Tel.: +34 93 672 46 10

info@prodinferrite.com www.prodinferrite.com

PRS7030,7045 SERIES

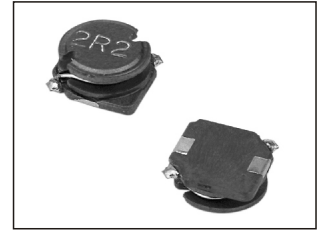
POWER SURFACE-MOUNT WIRE-WOUND CHIP INDUCTORS

FEATURES:

- Magnetically Shielded Structure
- Low DC Resistance
- Large current up to 3.8A
- Excellent Mechanical Strength
- High Reliability and Excellent Solderability
- Low and square Profile
- High heat resistance

COMMON APPLICATIONS:

- VCRs, Notebook, DC/DC Converters
- Video Digital Cameras
- Communication System
- Automotive Systems Power supplier
- LCD PDP Televisions
- Hard Disk Drives, Topset, XDSL
- Network Systems
- Computer Peripheral Equipment

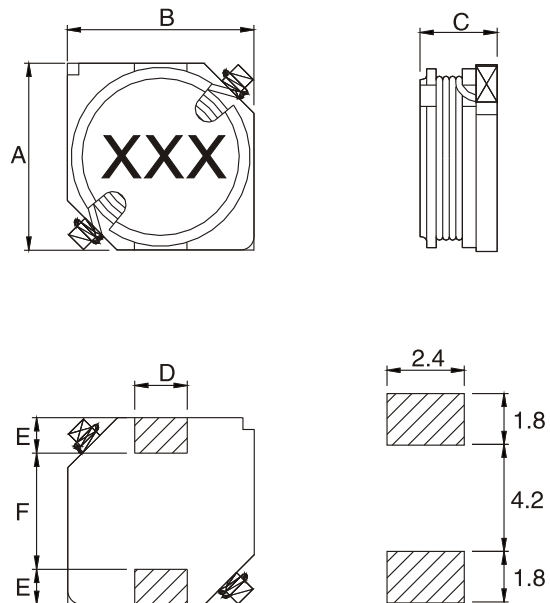


ELECTRICAL CHARACTERISTICS:

Part Number	L μH (100KHz)	Q Typ	Test Freq Mhz	DCR Ω Max	IDC Max A
PRS7030-1R0M	1.0	18	7.96	0.022	3.00
PRS7030-1R5M	1.5	17	7.96	0.027	2.75
PRS7030-2R2M	2.2	17	7.96	0.030	2.60
PRS7030-3R5M	3.5	17	7.96	0.038	2.20
PRS7030-4R7M	4.7	14	7.96	0.048	1.85
PRS7030-6R2M	6.2	17	7.96	0.058	1.65
PRS7030-100M	10.0	16	2.52	0.075	1.50
PRS7030-150M	15.0	14	2.52	0.115	1.20
PRS7030-220M	22.0	14	2.52	0.160	1.02
PRS7030-330M	33.0	13	2.52	0.230	0.85
PRS7030-470K	47.0	12	2.52	0.340	0.70
PRS7030-680K	68.0	12	2.52	0.480	0.58
PRS7030-101K	100.0	18	0.796	0.720	0.46
PRS7030-151K	150.0	18	0.796	0.920	0.40
PRS7030-221K	220.0	23	0.796	1.600	0.32
PRS7030-331K	330.0	24	0.796	2.200	0.26
PRS7030-471K	470.0	30	0.796	2.800	0.22
PRS7030-681K	680.0	28	0.796	4.350	0.18
PRS7030-102K	1000.0	66	0.796	6.200	0.15
PRS7045-1R0M	1.0	25	7.96	0.022	3.80
PRS7045-1R5M	1.5	26	7.96	0.027	3.50
PRS7045-2R2M	2.2	24	7.96	0.032	3.30
PRS7045-3R3M	3.3	23	7.96	0.036	2.80
PRS7045-4R7M	4.7	23	7.96	0.042	2.60
PRS7045-6R8M	6.8	22	7.96	0.054	2.25
PRS7045-100M	10.0	28	2.52	0.070	2.00
PRS7045-150M	15.0	24	2.52	0.086	1.60
PRS7045-220M	22.0	26	2.52	0.125	1.40
PRS7045-330M	33.0	20	2.52	0.150	1.22
PRS7045-470K	47.0	21	2.52	0.230	1.00
PRS7045-680K	68.0	17	2.52	0.280	0.90
PRS7045-101K	100.0	17	0.796	0.430	0.75
PRS7045-151K	150.0	17	0.796	0.580	0.62
PRS7045-221K	220.0	22	0.796	0.930	0.50
PRS7045-331K	330.0	20	0.796	1.240	0.42
PRS7045-471K	470.0	20	0.796	1.850	0.34
PRS7045-681K	680.0	18	0.796	2.400	0.30
PRS7045-102K	1000.0	48	0.252	4.000	0.22

Note: 1. K= ± 10%, M= ± 20%, N= ± 30%

CHARACTERISTICS:



DIMENSIONS IN: mm

Part Number	A	B	C	D	E	F
PRS7030	7.2 ± 0.3	7.2 ± 0.3	3.0 ± 0.3	2.0	1.5	4.0
PRS7045	7.0 ± 0.2	7.0 ± 0.2	4.5 ± 0.3	2.0	1.5	4.0

TECHNICAL INFORMATION:

- Inductor Testing: HP4284A (Equivalent acceptable)
- DCR: QuadTech 1880 Milliohmmer
- Q- HP4342A - SRF-HP4191A
- IDCMax current is decreased 10% against its initial value
- Operating temperature: -40°C to +105°C
- Storage Temperature: -40°C to +105°C
- Solder methods: Vapor Phase, Infrared Reflow
- Resistance to soldering heat: 260°C for 10 seconds
- Solvent resistance: Conforms to MIL-STD-202E
- Marking: Inductance & Tolerance
- Note: All specifications subject to change without notice.



Prodin Ferrite S.L.

Calle A, 27, 08620 Sant Vicenç dels Horts, Barcelona
(Spain) Tel.: +34 93 672 46 10

info@prodin ferrite.com www.prodin ferrite.com

PRS1030,1045 SERIES

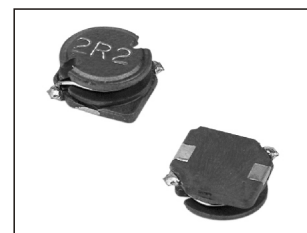
POWER SURFACE-MOUNT WIRE-WOUND CHIP INDUCTORS

FEATURES:

- Magnetically Shielded Structure
- Low DC Resistance
- Large current up to 4.8A
- Excellent Mechanical Strength
- High Reliability and Excellent Solderability
- Low and square Profile
- High heat resistance

COMMON APPLICATIONS:

- VCRs
- Video Cameras
- Communication System
- Automotive Systems
- Liquid Crystal Televisions
- Hard Disk Drives
- Network Systems
- Computer Peripheral Equipment

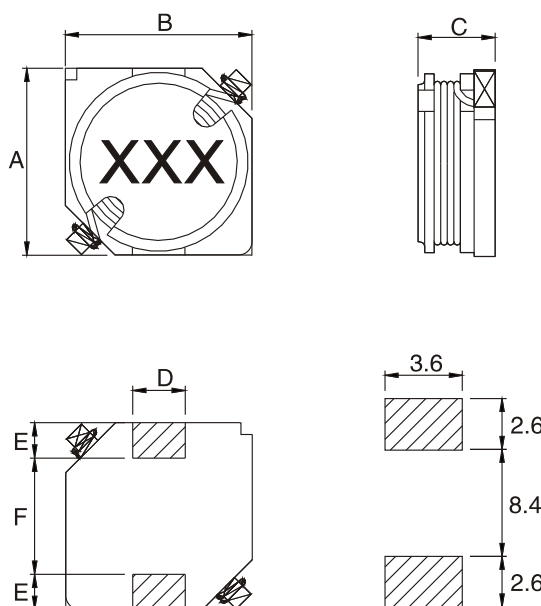


ELECTRICAL CHARACTERISTICS:

Part Number	L μH (100KHz)	Q Typ	Test Freq Mhz	DCR Ω Max	IDC Max A
PRS1030-2R7M	2.7	13	7.96	0.028	3.00
PRS1030-4R7M	4.7	13	7.96	0.040	2.60
PRS1030-6R8M	6.8	15	7.96	0.052	2.20
PRS1030-100M	10.0	15	2.52	0.064	2.00
PRS1030-150M	15.0	18	2.52	0.100	1.65
PRS1030-220M	22.0	20	2.52	0.145	1.38
PRS1030-330M	33.0	16	2.52	0.220	1.10
PRS1030-470M	47.0	10	2.52	0.270	0.96
PRS1030-680M	68.0	12	2.52	0.360	0.82
PRS1030-101K	100.0	14	0.796	0.540	0.70
PRS1030-151K	150.0	23	0.796	0.700	0.60
PRS1030-221K	220.0	23	0.796	1.150	0.46
PRS1030-331K	330.0	25	0.796	1.700	0.38
PRS1030-471K	470.0	20	0.796	2.250	0.28
PRS1030-681K	680.0	18	0.796	3.300	0.23
PRS1030-102K	1000.0	42	0.796	4.700	0.20
PRS1045-2R7M	2.7	25	7.96	0.026	4.80
PRS1045-4R5M	4.5	25	7.96	0.033	4.20
PRS1045-6R8M	6.8	22	7.96	0.040	3.50
PRS1045-100M	10.0	26	2.52	0.064	3.20
PRS1045-150M	15.0	26	2.52	0.100	2.50
PRS1045-220M	22.0	22	2.52	0.145	2.20
PRS1045-330M	33.0	20	2.52	0.220	1.90
PRS1045-470M	47.0	21	2.52	0.270	1.60
PRS1045-680M	68.0	21	2.52	0.360	1.30
PRS1045-101K	100.0	14	0.796	0.540	1.10
PRS1045-151K	150.0	16	0.796	0.700	0.85
PRS1045-221K	220.0	15	0.796	1.150	0.72
PRS1045-331K	330.0	12	0.796	1.700	0.62
PRS1045-471K	470.0	12	0.796	2.250	0.52
PRS1045-681K	680.0	13	0.796	3.300	0.43
PRS1045-102K	1000.0	25	0.252	4.700	0.38

Note:1. K= ± 10%,M= ± 20%,N= ± 30%

CHARACTERISTICS:



DIMENSIONS IN: mm

Part Number	A	B	C	D	E	F
PRS1030	10.0 ± 0.3	10.0 ± 0.3	3.0 ± 0.3	2.4	2.0	6.0
PRS1045	10.0 ± 0.2	10.0 ± 0.3	4.5 ± 0.3	2.4	2.0	6.0

TECHNICAL INFORMATION:

- Inductor Testing: HP4284A (Equivalent acceptable)
DCR: QuadTech 1880 Milliohmmer
Q- HP4342A - SRF-HP4191A
IDCMax current is decreased 10% against its initial value
 - Operating temperature: -40°C to +105°C
 - Storage Temperature: -40°C to +105°C
 - Solder methods: Vapor Phase, Infrared Reflow
 - Resistance to soldering heat: 260°C for 10 seconds
 - Solvent resistance: Conforms to MIL-STD-202E
 - Marking: Inductance & Tolerance
- Note: All specifications subject to change without notice.



Prodin Ferrite S.L.

Calle A, 27, 08620 Sant Vicenç dels Horts, Barcelona
(Spain) Tel.: +34 93 672 46 10

info@prodinferrite.com www.prodinferrite.com

PRS1345,1380 SERIES

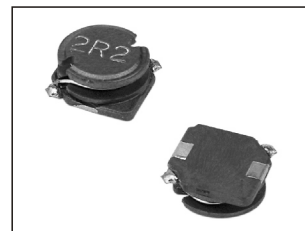
POWER SURFACE-MOUNT WIRE-WOUND CHIP INDUCTORS

FEATURES:

- Magnetically Shielded Structure
- Low DC Resistance
- Large current up to 7.2A
- Excellent Mechanical Strength
- High Reliability and Excellent Solderability
- Low and square Profile
- High heat resistance

COMMON APPLICATIONS:

- VCRs
- Video Cameras
- Communication System
- Automotive Systems
- Liquid Crystal Televisions
- Hard Disk Drives
- Network Systems
- Computer Peripheral Equipment

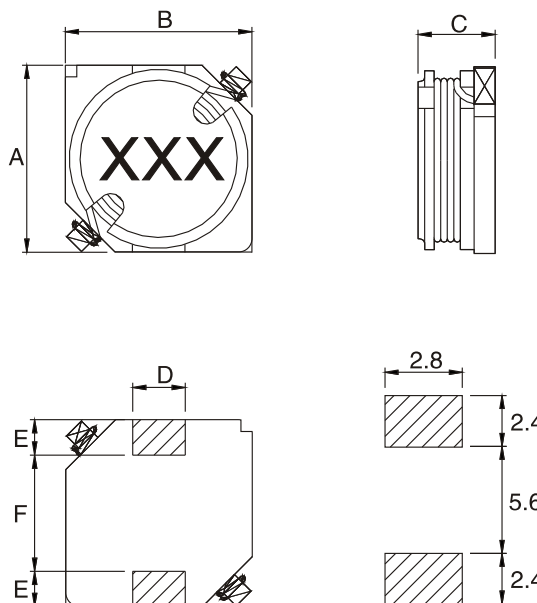


ELECTRICAL CHARACTERISTICS:

Part Number	L μH (100KHz)	Q Typ	Test Freq Mhz	DCR Ω Max	IDC Max A
PRS1345-2R5M	2.5	19	7.96	0.0098	7.20
PRS1345-3R5M	3.5	20	7.96	0.0105	6.00
PRS1345-4R6M	4.7	18	7.96	0.0165	5.20
PRS1345-6R8M	6.8	17	7.96	0.0240	4.30
PRS1345-100M	10.0	35	2.52	0.0370	3.60
PRS1345-150M	15.0	28	2.52	0.0460	3.30
PRS1345-220M	22.0	27	2.52	0.0620	2.90
PRS1345-330M	33.0	23	2.52	0.0850	2.50
PRS1345-470M	47.0	24	2.52	0.1300	1.90
PRS1345-680M	68.0	22	2.52	0.1650	1.65
PRS1345-101K	100.0	20	0.796	0.2550	1.40
PRS1345-151K	150.0	17	0.796	0.3800	1.20
PRS1345-221K	220.0	16	0.796	0.5000	1.00
PRS1345-331K	330.0	11	0.796	0.7000	0.85
PRS1345-471K	470.0	14	0.796	1.1500	0.67
PRS1345-681K	680.0	12	0.796	1.4000	0.60
PRS1345-102K	1000.0	41	0.252	2.3500	0.46
PRS1380-100M	10	20	2.52	0.036	4.050
PRS1380-150M	15	20	2.52	0.040	3.340
PRS1380-220M	22	20	2.52	0.060	2.800
PRS1380-330M	33	20	2.52	0.080	2.400
PRS1380-470M	47	20	2.52	0.110	2.000
PRS1380-560M	56	20	2.52	0.120	1.900
PRS1380-680M	68	20	2.52	0.150	1.800
PRS1380-820M	82	20	2.52	0.190	1.600
PRS1380-101K	100	15	0.796	0.230	1.500
PRS1380-121K	120	15	0.796	0.320	1.400
PRS1380-151K	150	15	0.796	0.370	1.300
PRS1380-221K	220	15	0.796	0.440	1.000
PRS1380-331K	330	15	0.796	0.600	0.900
PRS1380-471K	470	15	0.796	0.880	0.700
PRS1380-681K	680	10	0.796	1.180	0.500
PRS1380-102K	1000	10	0.252	1.740	0.480
PRS1380-122K	1200	10	0.252	1.920	0.380

Note:1. K= ± 10%,M= ± 20%,N= ± 30%

CHARACTERISTICS:



DIMENSIONS IN: mm

Part Number	A	B	C	D	E	F
PRS1345	12.7 ± 0.3	12.7 ± 0.3	4.8 ± 0.5	3.0	2.0	8.6
PRS1380	12.7 ± 0.3	12.7 ± 0.3	8.5 ± 0.5	3.0	2.0	8.6

TECHNICAL INFORMATION:

- Inductor Testing: HP4284A (Equivalent acceptable)
DCR: QuadTech 1880 MilliOhmmeter
Q- HP4342A - SRF-HP4191A
IDCMax current is decreased 10% against its initial value
 - Operating temperature: -40°C to +105°C
 - Storage Temperature: -40°C to +105°C
 - Solder methods: Vapor Phase, Infrared Reflow
 - Resistance to soldering heat: 260°C for 10 seconds
 - Solvent resistance: Conforms to MIL-STD-202E
 - Marking: Inductance & Tolerance
- Note: All specifications subject to change without notice.



Prodin Ferrite S.L.

Calle A, 27, 08620 Sant Vicenç dels Horts, Barcelona
(Spain) Tel.: +34 93 672 46 10

info@prodinferrite.com www.prodinferrite.com