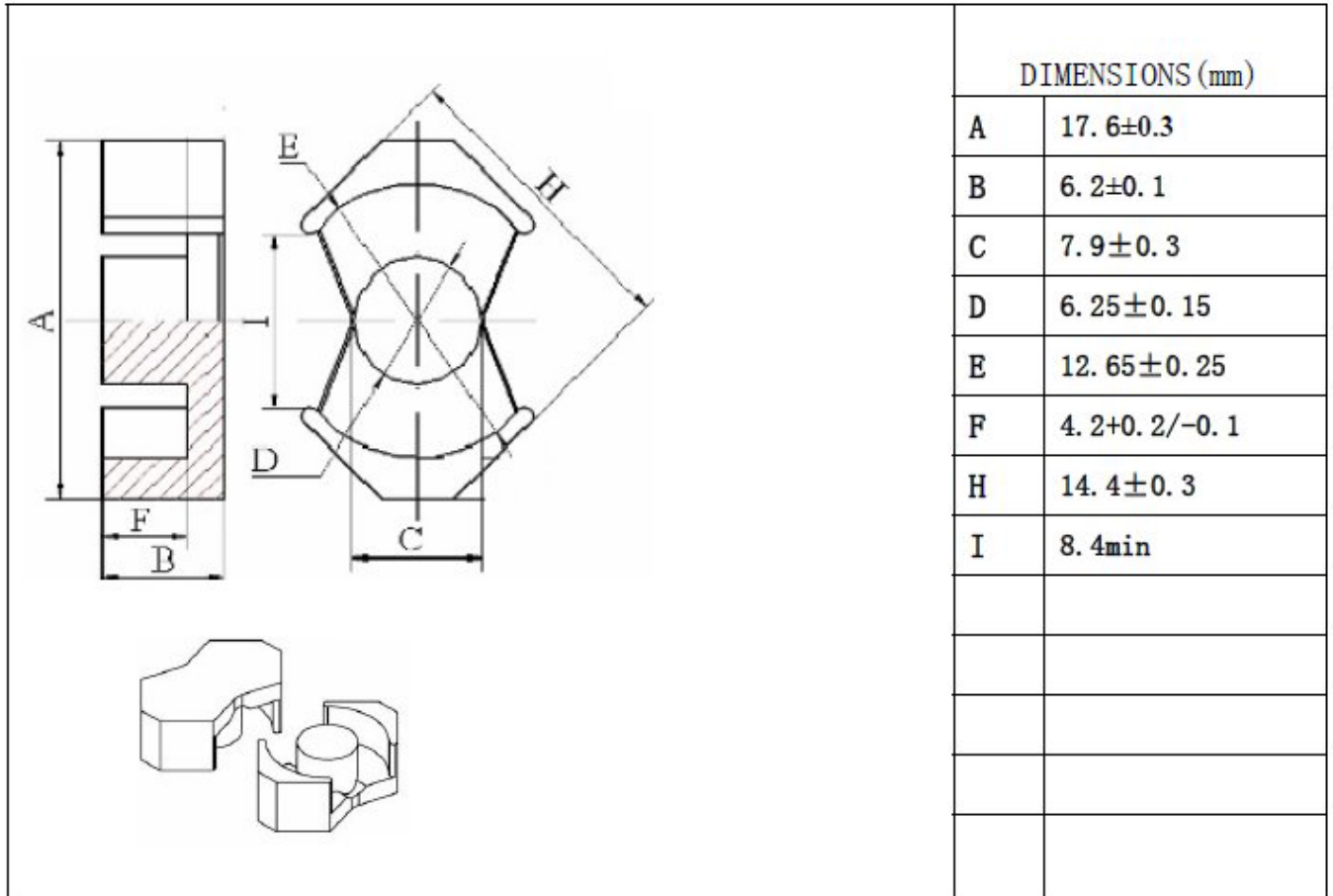


Core RM6-TP4A-AL250nH



CORE PARAMETERS	
Effective Length Le	31.11mm
Effective Cross Area Ae	33.62mm ²
Minimum Cross Area $Amin$	30.68 mm ²
Effective Volume Ve	1046mm ³
Approx. Weight W	5.5g/Prs



Prodin Ferrite S.L.

CalleA, 27, 08620 Sant Vicenç dels Horts, Barcelona (Spain)

Tel.: +34 93 672 46 10

info@prodin ferrite.com www.prodin ferrite.com

ELECTRICAL CHARACTERISTICS

ITEMS	SPEC	TESTING METHOD	TESTING INSTRUMENT
INDUCTANCE	AL: 250 ± 5% nH/N2	1kHz,0.3V, 23±3 °C 100TS	HP4284 OR YD2810
INDUCTANCE	L: 2.5 ± 5% mH	1kHz,0.3V, 23±3 °C 100TS	HP4284 OR YD2810
POWER LOSS	PL 0.55 W max	100kHz,200mT 100±3 °C	SY8232 OR CH258
GAP ≈ 0.15mm			

MATERIAL CHARACTERISTICS

MATERIAL : TP4A

CHARACTERISTICS		UNIT	VALUE
INITIAL PERMEABILITY	μ_i	—	2400 ± 25%
SATURATION MAGNETIC FLUX DENSITY (H=1194A/m)	B_s	25°C	510
		100°C	390
REMANENT FLUX DENSITY	B_r	25°C	mT
COERCIVE FORCE	H_c	25°C	A/m
RELATIVE LOSS FACTOR	$\tan \delta / \mu_i$	—	
RELATIVETEMP.FACTOR	α_{uir}	—	
CURIE TEMP.	T_c	°C	215
ELECTRICAL RESISTIVITY	ρ	Ω	6.5
DENSITY	d	kg/m ³	4.8 × 10 ³

**Prodin Ferrite S.L.**

CalleA, 27, 08620 Sant Vicenç dels Horts, Barcelona (Spain)

Tel.: +34 93 672 46 10

info@prodinferrite.com www.prodinferrite.com