



# PRODUCT DATA APPROVAL SHEET

Core- RM10

Cosmo Ferrites Ltd. - INDIA

**Appearance & Shape:** To be free from any defect such as flow, burrs, unevenness etc, As per IEC standards.

**Effective Parameters irrespective of material grade (per set)**

- Effective Length ( $L_e$ ): 44.0mm
- Effective Area ( $A_e$ ): 98.0mm<sup>2</sup>
- Effective Area ( $A_{Min}$ ): 90.0mm<sup>2</sup>
- Effective Volume ( $V_e$ ): 4310mm<sup>3</sup>

**Approximate weight (without Gap): 21.8g/Set**



## RM10 Un-gapped (OL)

**Test Conditions:** 1 KHz/1mT/N=100/25°C

Material	Initial Permeability ( $\mu_{iac}$ )	AL Value (nH)/Set	$\mu_e$ Approx./Set	$P_V$ (W/set)
CF139	2100 ±20%	4200 +30%/-20%	≈1500	≤0.43(100mT,100kHz, 100°C)
CF297	2300±20%	4200 +30%/-20%	≈1500	≤0.43(100mT,100kHz, 100°C)
CF130	3000±20%	5500 +30%/-20%	≈1960	

## RM10 Gapped (AL)

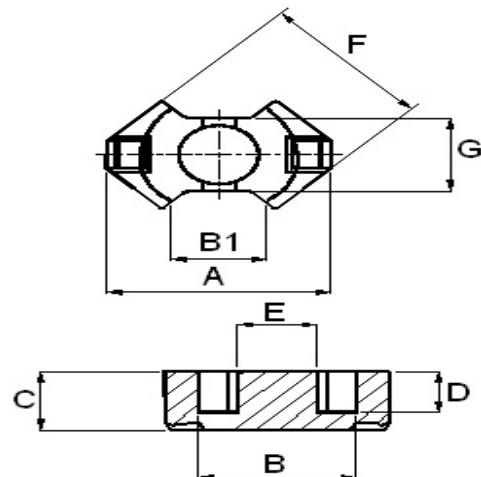
Material	AL- Value(nH)/Set	S, T **)		D **)	
		Approx.Gap (mm)/Pc	$\mu_e$ approx./Set	Approx.Gap (mm)/Pc	$\mu_e$ approx./Set
CF139	160±3%	0.75	57	-	-
CF139	250±3%	0.47	89	-	-
CF139	315±3%	0.37	112	-	-
CF139	400±3%	0.29	141	-	-
CF139	630±3%	0.18	218	-	-
CF130	250±3%	0.48	89	-	-

\*\*\*) S, T -> AL value in the table applies to a core set comprising one ungapped core (g=0) and one gapped core (g>0)

D -> AL value in the table applies to a core set comprising one gapped core (g>0) and one gapped core (g>0)

## Dimensions :

Dimension	Nominal (in mm)	Maximum (in mm)	Minimum (in mm)
A	27.85	28.5	27.2
B1	-	-	10.9
B	21.65	22.1	21.2
C	9.35	9.50	9.20
D	6.35	6.50	6.20
E	10.7	10.9	10.5
F	24.15	24.7	23.6
G	13.2	13.5	12.9



For Cosmo Ferrites Limited-INDIA

Checked By: A.K.

Approved By: B.S.

Authorized By: KSR

Date: 08-02-2013



**Prodin Ferrite S.L.**

CalleA, 27, 08620 Sant Vicenç dels Horts, Barcelona (Spain)

Tel.: +34 93 672 46 10

[info@prodinferrite.com](mailto:info@prodinferrite.com) [www.prodinferrite.com](http://www.prodinferrite.com)