



PRODUCT DATA APPROVAL SHEET

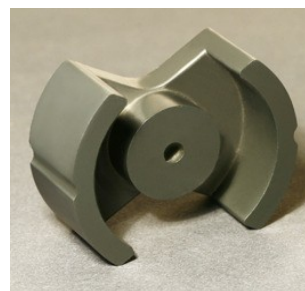
Core-PM7459

Cosmo Ferrites Ltd. -INDIA

Appearance & Shape: To be free from any defect such as flow, burrs, unevenness etc, as per IEC standards.

Effective Parameters irrespective of material grade (per set)

Parameter	Value	Unit
Effective Length (L_e):	128	mm
Effective Area (A_e):	790	mm ²
Effective Area (A_{min}):	630	mm ²
Effective Volume (V_e):	101000	mm ³
Approximate weight(m):	460	g/set



PM7459 Un-Gapped (OL)

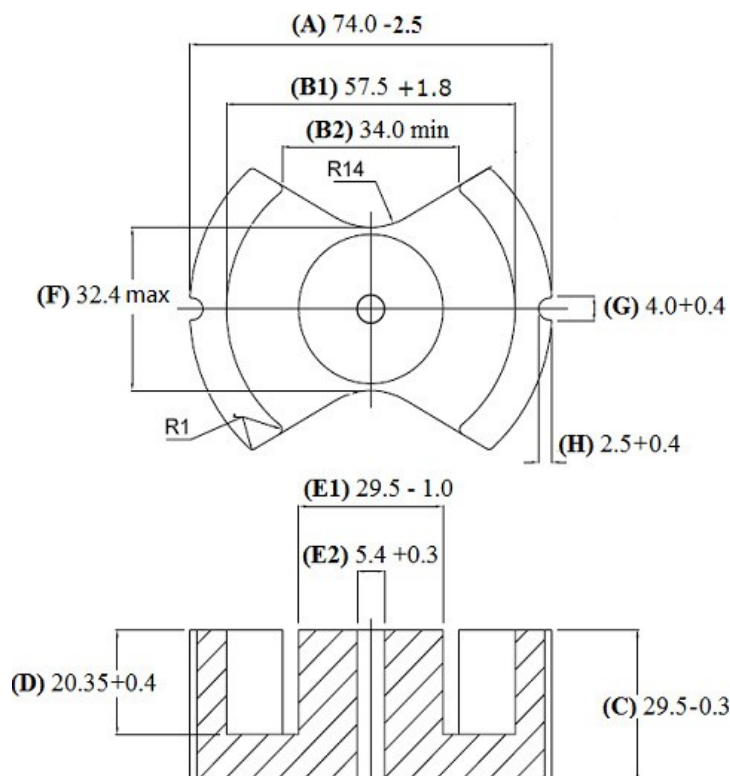
Test Conditions: 1kHz/1mT/CFR COIL, N=100/25°C

Material Grade	Initial Permeability (μ_{iac})	AL Value (nH)	μ_e Approx. /Set	P_v (W/set) (25kHz,200mT, 100°C)	P_v (W/set) (100kHz,100mT, 100°C)
CF139	2100±20%	12000 +30%/-20%	≈ 1550	≤ 12.0	≤ 9.6
CF297	2300±20%	12250 +30%/-20%	≈ 1580	≤ 11.0	≤ 9.1

PM7459 Gapped

Test Conditions: 1kHz/300mV/CFR COIL, N=10/25°C

Material Grade	AL(nH) Approx. /Set	S, T	
		Gap Value mm/Pc	μ_e Approx./Set
CF139	6170 ±15%	≈ 0.2	≈ 755



Prodin Ferrite S.L.

CalleA, 27, 08620 Sant Vicenç dels Horts, Barcelona (Spain)

Tel.: +34 93 672 46 10

info@prodinferrite.com www.prodinferrite.com