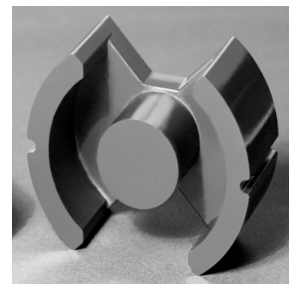


**Appearance & Shape:** To be free from any defect such as flow, burrs, unevenness etc, As per IEC standards.

**Effective Parameters irrespective of material grade (per set)**

- Effective Length ( $L_e$ ): 109 mm
- Effective Area ( $A_e$ ): 570 mm<sup>2</sup>
- Effective Area ( $A_{Min}$ ): 558 mm<sup>2</sup>
- Effective Volume ( $V_e$ ): 62130 mm<sup>3</sup>

**Approximate weight (without Gap): 280 g/Set**



## PM6249 Un-gapped (OL)

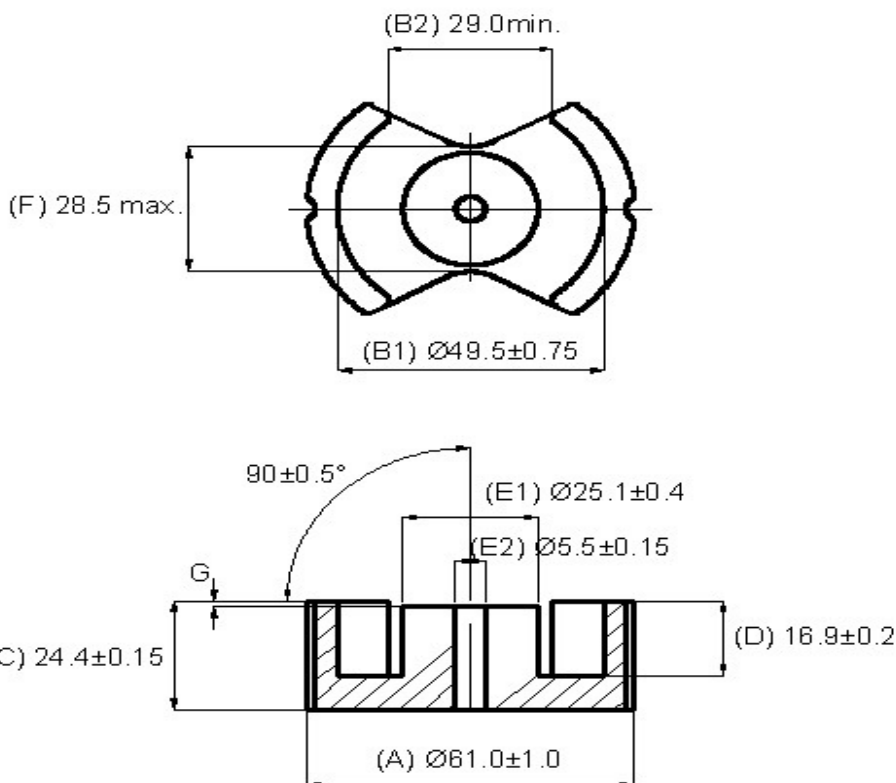
**Test Conditions: 1kHz/300mV/CFR COIL,N=100/L<sub>0</sub>=326.0uH/25°C**

Material Grade	Initial Permeability ( $\mu_{iac}$ )	AL Value (nH)/Set	$\mu_e$ Approx./Set	$P_v$ (W/set)
CF196	2000±20%	9100+30%/-20%	≈ 1750	≤8.57(200mT,16kHz,100°C)
CF139	2100 ±20%	9200 +30%/-20%	≈ 1780	≤6.21(100mT,100kHz,100°C)
CF297	2300 ±20%	9700 +30%/-20%	≈ 1485	≤5.59(100mT,100kHz,100°C)

## PM6249 Gapped

**Test Conditions: 1kHz/300mV/CFR COIL,N=100/L<sub>0</sub>=326.0uH/25°C**

Material Grade	AL Value in nH/Set	S, T		D	
		Gap Approx. (mm)/Pc	$\mu_e$ Approx./Set	AL Approx. (nH)/Set	$\mu_e$ Approx./Set
CF196	315 ± 3%	≈ 1.98	≈ 46	≈ 0.98	≈ 46
CF139	315 ± 3%	≈ 2.0	≈ 48	≈ 1.0	≈ 48
CF297	315 ± 3%	≈ 2.2	≈ 49	≈ 1.1	≈ 49



For Cosmo Ferrites Limited-INDIA  
A.K.

## Prodin Ferrite S.L.

CalleA, 27, 08620 Sant Vicenç dels Horts, Barcelona (Spain)

Tel.: +34 93 672 46 10

[info@prodinferrite.com](mailto:info@prodinferrite.com) [www.prodinferrite.com](http://www.prodinferrite.com)